

BALL VALVE

K91.31 FIG T302-M3, B302-S13

Application

- oil and gas
- petrochemical and chemical industry
- power industry
- water supply

Working medium

- gases
- liquids, impurities must not be abrasive

Working temperature

- + 200°C

Technical description

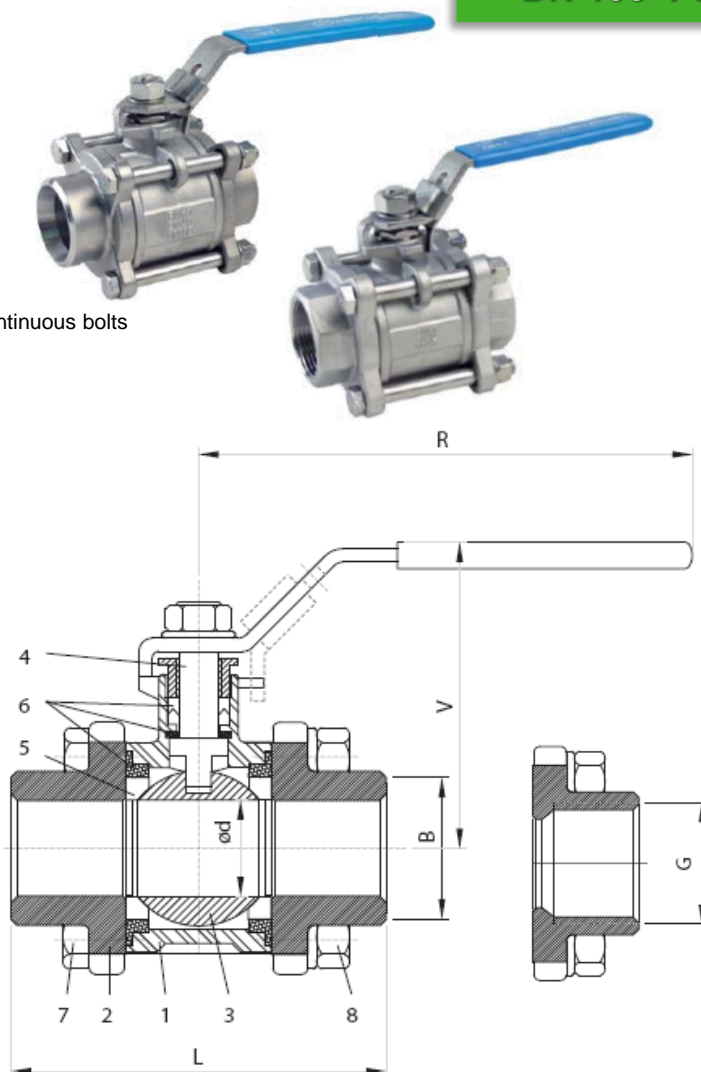
- cast body
- individual parts of the body are connected by continuous bolts
- soft-seated seat
- ANTISTATIC

Connection to piping

- welded ends
- threaded ends

Material

Position	Component	Material
1	Body	1.4408
2	Cover	1.4408
3	Ball	AISI316
4	Stem	AISI316
5	Seat	PTFE
6	Gasket	PTFE
7	Bolts	AISI304
8	Nuts	AISI304



DN 8-20 PN 63
 DN 25-50 PN 40
 DN 65-80 PN 25
 DN 100 PN 20

PN 63

DN	Threaded ends					Welded ends					
	Ød	L	V	R	kg	Ød	B	L	V	R	kg
8	10,0	50	50	100	0,3	10,0	13	70	50	100	0,3
10	12,5	60	50	100	0,29	12,5	13	7	50	100	0,29
15	15,0	75	53	100	0,41	15,0	17	75	53	100	0,4
20	20,0	80	58	103	0,63	20,0	22	90	58	103	0,63
25	25,0	90	70	158	1,03	25,0	28	100	70	158	1,04
32	32,0	110	76	158	1,5	32,0	37	110	76	158	1,48
40	38,0	120	88	183	2,23	38,0	43	125	88	183	2,27
50	50,0	140	95	183	3,57	50,0	54	150	95	183	3,71
65	65,0	185	135	243	7,85	65,0	72	190	135	243	7,96
80	80,0	205	145	243	14,3	80,0	84	220	145	243	12,35
100	100,0	240	165	328	21,1	100,0	109	270	165	328	20,9

The ARMATURY Group a.s. company reserves the right for changes of technical products-specifications, and is not responsible for incidental misprints. Issued in February 2016.