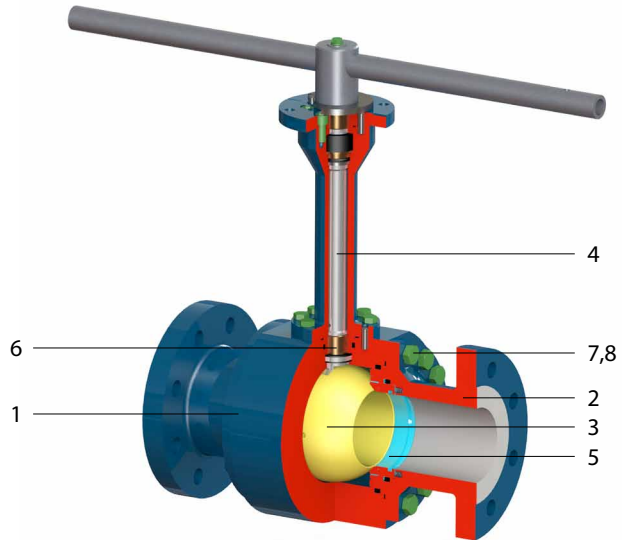




DN 25-150 • PN 16-100 • NPS 1"-6" • Class 150-600

**Design:**

- Cryogenic ball valve is applied for design temperature below -60°C.
- Dimensions on customer's request



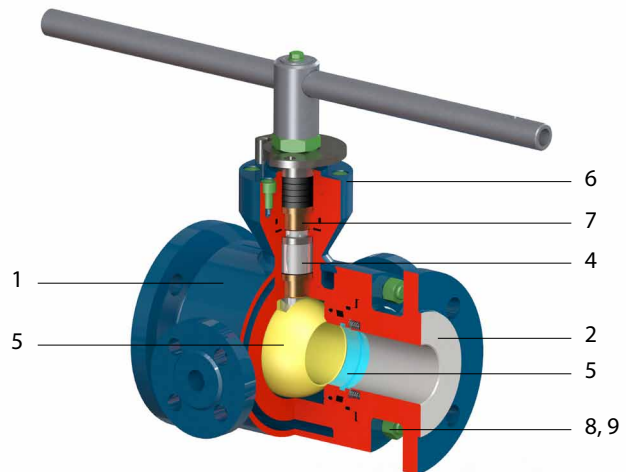
**Standard material**

Position	Component	Stainless steel	
		For temperatures from -60°C to -105°C	For temperatures from -105°C to -196°C
1	Body	A182 F304, 1.4541, A182 F316, 1.4571	
2	Bonnet		
3	Ball	A182 F316, A351 CF8, 1.4571	
4	Stem	A182 F316, 1.4571, 1.4542	
5	Seat	Filled PTFE	PCTFE (KEL-F)
5.1	Seat seal	Lip-seal Stainless Steel+PTFE	
5.2	Spring	Inconel X750	
6	Bearing	SS+PTFE	
7	Bolt	A193 B8M Cl2	
8	Nut	A194 8M	
9	Packing	Lip-seal Stainless Steel+PTFE, Graphite	

DN 15, 25, 40, 50, 100 • PN 16-40

**Design:**

- Ball valve is equipped with heating jacket for supply of heating medium.
- Dimensions on customer's request



**Standard material**

Position	Component	Carbon steel		Stainless steel	
		from -20 to 200 °C	from 200 to 400 °C	from -20 to 200 °C	from 200 to 400 °C
1	Body	A105, 1.0566		A182 F304, 1.4541, A182 F316, 1.4571, A182 F6a, 1.4201	
2	Cover				
3	Ball	A304, A316, 13%Cr + HF			
4	Control Stem	AISI 410, A182 F6a, A304, A316, A351-CF8			
5	Seat	Stainless steel + HF			
6	Flange	A105, 1.0566	A182 F304, 1.4541, A182 F316, 1.4571, A182 F6a, 1.4201		
7	Bearings	SS + PTFE			
8	Bolt	A 320 L7		A193 B8	
9	Nut	A 194 Gr.4		A194 G8	
10	Packing	Graphite			

The temperature range can be limited, it depends on the seal material.  
Other materials on request