

### Application

- self-acting fitting which traps mechanical impurities contained in the service fluids

### Working medium

- water
- steam and gases
- non-aggressive liquids

### Working temperature

- from -29°C to 300°C

### Technical description

- The strainer body has an angled neck containing a replaceable cylindrical filter screen, fixed in place by a closure cap.

### Testing

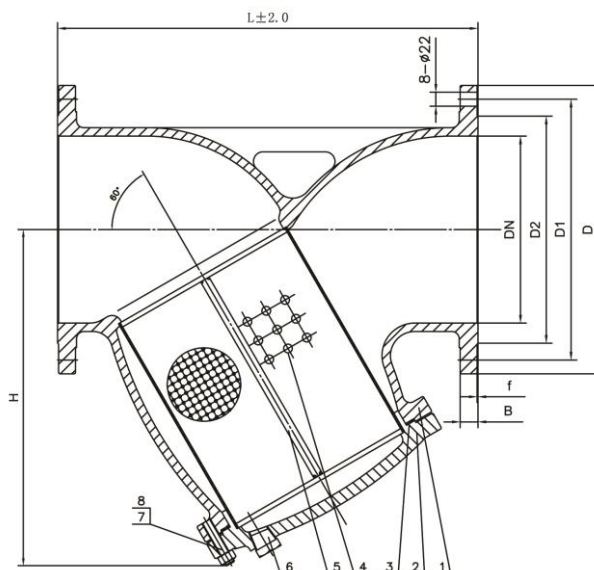
- acc. to API 598

### Connecting to piping

- flanged ends acc. to EN 1092-1

### Material

Position	Component	Material
1	body	1.0619
2	cap	1.0619
3	gasket	304SS + Graphite
4	filter	304SS
5	framework	304SS
6	plug	ANSI 1035
7	bolt	A193 B7
8	nut	A194 2H



### PN 40

DN	L	D	D1	D2	Z-Ød	B	f	H	m (kg)
15	130	95	65	45	4-14	16	2	105	2,8
20	150	105	75	58	4-14	18	2	110	3,8
25	160	115	85	68	4-14	18	2	120	4,4
32	180	140	100	78	4-18	18	2	125	6,4
40	200	150	110	88	4-18	18	3	145	7,8
50	230	165	125	102	4-18	20	3	145	10,4
65	290	185	145	122	8-18	22	3	160	-
80	310	200	160	138	8-18	24	3	172	21,5
100	350	235	190	162	8-22	24	3	202	28,6
125	400	270	220	188	8-26	26	3	270	39,6
150	480	300	250	218	8-26	28	3	302	62,5
200	600	375	320	285	12-30	34	3	380	105,0
250	730	450	385	345	12-33	38	3	555	210,0
300	850	515	450	410	16-33	42	4	590	252,2

The ARMATURY Group a.s. company reserves the right for changes of technical products-specifications, and is not responsible for incidental misprints. Issued in February 2016.