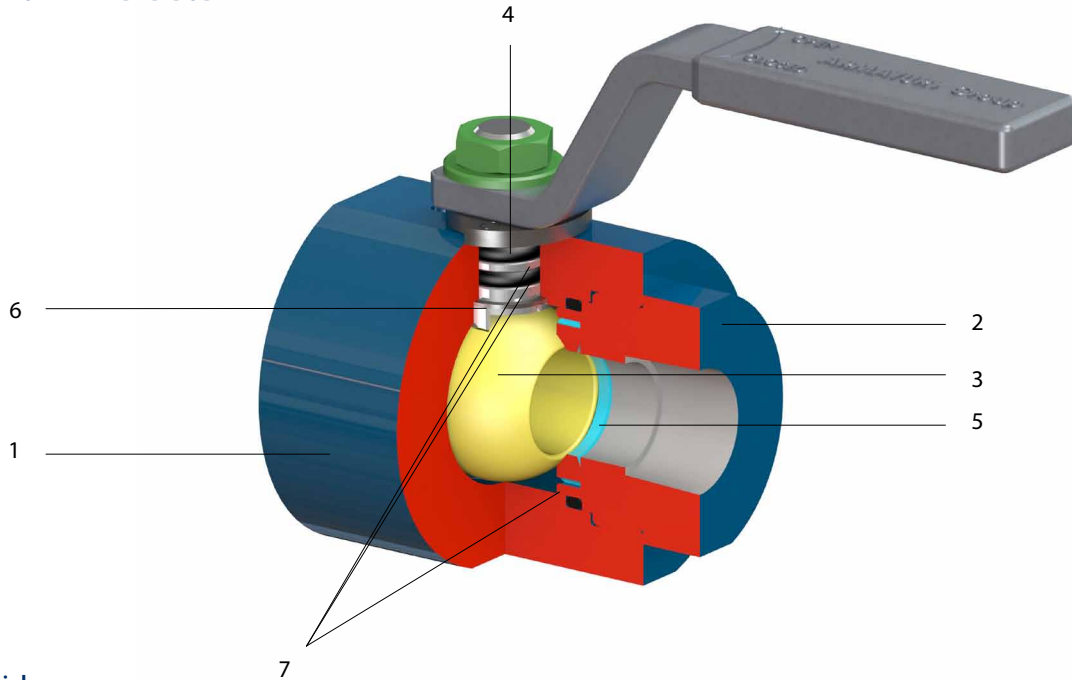


DN 10-50 • PN 16-320 • NPS 3/8"-2" • Class 150-1500 • Tmax 150 °C (200 °C)  
Higher PN (Class) on request

Connection: ISO 228-1, ASME B1.20.1  
INSIDE THREADED DESIGN

**Design:**

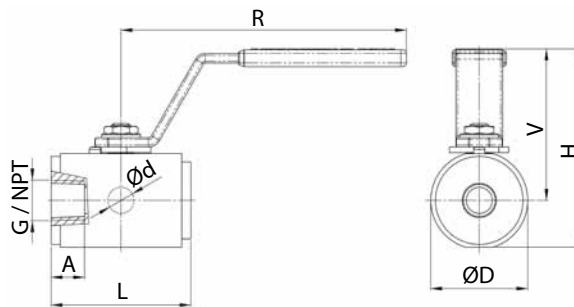
- THREADED OR FULLY WELDED BODY



**Standard material**

Position	Component	Carbon steel		Stainless steel
		For normal temperature from -29°C to +200°C	For low temperature -46°C (-60°C) - +200°C	Austenitic steel from -60°C to +200°C
1	Body	A105, 1.0577, S355J2G3	A350 LF2, 1.0566, P355NL1	A182 F304, 1.4541 A182 F316, 1.4571
2	Closure			
3	Ball	A182 F304, A182 F316, A351 CF8		A182 F316, 1.4571, A351 CF8
4	Stem	1.4021, A182 F6a	1.4571, A182 F316, 1.4542	1.4571+ ENP Ni, A182 F316 + ENP Ni 1.4542 + ENP Ni
5	Seat	Filled PTFE, NYLON, PEEK		
6	Gasket	Filled PTFE, NYLON, PEEK		
7	O-ring	HNBR, VITON		

The temperature range can be limited, it depends on the seal material.  
Other materials on request



PN / Class	DN	NPS	G	NPT	A	L	ød	R	V	H	øD	kg
PN 16 ÷ 320 CLASS 150 ÷ 1500	10	3/8"	3/8"	3/8-18	13	80	14	152	85	115	62	1,7
	15	1/2"	1/2"	1/2-14	15	80	14	152	85	115	62	1,7
	20	3/4"	3/4"	3/4-14	16,5	90	19	152	94	131	79	3
	25	1"	1"	1-11,5	19,5	100	25	152	97	137	84	3,7
PN 16 ÷ 160 CLASS 150 ÷ 900	32	1 1/4"	1 1/4"	1 1/4-11,5	21,5	110	32	152	97	140	88	4,5
	40	1 1/2"	1 1/2"	1 1/2-11,5	23	120	38	400	123	184	122	9,6
	50	2"	2"	2-11,5	26	135	49	500	131	200	138	12,2