

S15 FIG 2110 BONNET GATE VALVE

Application

- is used as the closing valve

Working medium

- water
- drinking water
- other inert liquids

Working temperature

- up to +200°C

Technical description

- „O”-ring – „DRY THREAD” replaceable under pressure
- stainless steel spindle with rolled thread and bearing
- wedge with replaceable spindle nut
- all parts are protected against corrosion
- standard execution: PN16, 120°C EPDM, stainless steel spindle, brass rings
- up to 150°C – bronze ring
- up to 200 °C – steel ring

Operation

- hand wheel

Testing

- certificate CE
- hygienic attest (by PZH)

Connecting to piping

- flanged ends acc. to EN 1092-2:1999

Installation

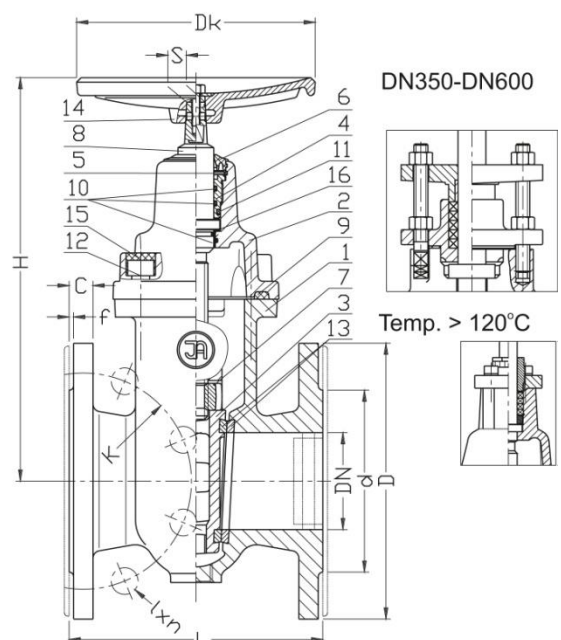
- Vertical and horizontal position – up to DN 300
- Only vertical position – above DN 300

Material

Position	Component	Material
1	body	gray cast iron, ductile iron
2	bonnet	gray cast iron, ductile iron
3	wedge	gray cast iron, ductile iron
4	packing cork	brass, bronze
5	stopper ring	steel 65G
6	clean gasket	EPDM
7	spindle nut	brass, bronze
8	spindle	steel X20Cr13, X17CrNi16-2
9	bonnet gasket	EPDM
10,11	seal „O” ring	EPDM
12	screw	brass, bronze
13	ring	brass, bronze
14	hand wheel	gray cast iron
15	screw stopper	paraffin
16	washer	polyethylene

* Other material specification on request

DN 40-600
PN 10-16



PN 10

DN	L	H	d	D	K	C	f	l	n	S	Dk	LH gwint	m (kg)
40	140	230	88	150	110	18	3	19	4	14	200	Tr16x4	11
50	150	25	102	165	125	20	3	19	4	14	200	Tr16x4	13
65	170	28	122	185	145	20	3	19	4	17	200	Tr16x4	18
80	180	310	138	200	160	22	3	19	8	17	200	Tr16x4	21
100	190	350	158	220	180	24	3	19	8	19	250	Tr20x4	30
125	200	395	188	250	210	26	3	19	8	19	250	Tr20x5	42
150	210	450	212	285	240	26	3	23	8	19	250	Tr20x5	54
200	230	510	268	340	295	26	3	23	12	24	320	Tr20x5	80
250	250	630	320	405	355	28	3	28	12	27	320	Tr32x6	110
300	270	710	378	460	410	30	4	28	12	27	320	Tr32x6	162
350	290	860	430	505	460	26	4	23	16	24	320	Tr32x6	229
400	310	935	482	565	515	28	4	28	16	24	320	Tr32x6	298
500	350	1135	585	670	620	30	4	28	20	27	630	Tr40x6	432
600	390	1305	685	780	725	30	5	31	20	27	630	Tr40x6	630

PN 16

DN	L	H	d	D	K	C	f	l	n	S	Dk	LH gwint	m (kg)
40	140	230	88	150	110	18	3	19	4	14	200	Tr16x4	11
50	150	25	102	165	125	20	3	19	4	14	200	Tr16x4	13
65	170	28	122	185	145	20	3	19	4	17	200	Tr16x4	18
80	180	310	138	200	160	22	3	19	8	17	200	Tr16x4	21
100	190	350	158	220	180	24	3	19	8	19	250	Tr20x4	30
125	200	395	188	250	210	26	3	19	8	19	250	Tr20x5	42
150	210	450	212	285	240	26	3	23	8	19	250	Tr20x5	54
200	230	510	268	340	295	26	3	23	12	24	320	Tr20x5	80
250	250	630	320	405	355	28	3	28	12	27	320	Tr32x6	110
300	270	710	378	460	410	30	4	28	12	27	320	Tr32x6	162

The ARMATURY Group a.s. company reserves the right for changes of technical products-specifications, and is not responsible for incidental misprints. Issued in February 2016.