

U70 FIG 3A-FSG SIGHT GLASS

Application

- fitting for monitoring the flow of liquids in pipe

Working medium

- liquids, depending on their type, temperature, concentration

Working temperature

- up to +200°C

Maximal pressure

- 16 bar

Technical description

- The sight glass body is a casting with two circular inspection holes.
- Circular inspection holes are covered with observation glass, sealed using caps, gasket, bolts.
- To improve visibility of flow, the body has barriers which cause the liquid to swirl.
- A suitable light should be placed below the sight glass.

Connecting to piping

- flanged ends

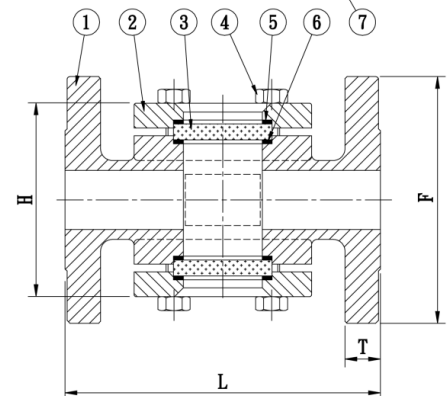
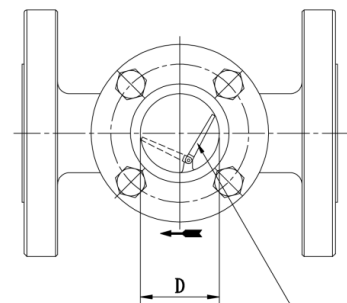
Material

Position	Component	Material	
1	body	stainless steel	S.S.304, 316
2	cap	stainless steel	S.S.304, 316
3	glass	glass	glass
4	bolt	stainless steel	S.S.304, 316
5	packing	PTFE	
6	packing	PTFE	
7	disc	stainless steel	S.S.304, 316

PN 16

NPS	L	H	D	F	T	Kg
½"	130	100	40	95	14	2,2
¾"	150	100	40	105	16	2,8
1"	160	100	40	115	16	3,3
1 ¼"	180	125	50	140	16	6,5
1 ½"	200	125	50	150	16	7,1
2"	230	125	50	165	18	8,4
2 ½"	290	167	85	185	18	17,0
3"	310	180	85	200	20	18,7
4"	350	210	110	220	20	23,7
5"	400	270	130	250	22	-
6"	480	280	160	285	22	49,0
8"	600	345	160	340	24	-

NPS ½" - 8"
PN 16



The ARMATURY Group a.s. company reserves the right for changes of technical products-specifications, and is not responsible for incidental misprints. Issued in February 2016.