

BALL VALVE K91.41 FIG T201

Application

- oil and gas
- petrochemical and chemical industry
- power industry
- water supply

Working medium

- gases
- liquids, impurities must not be abrasive

Working temperature

- + 200°C

Technical description

- cast body
- two-pieces or three-pieces body, individual parts of the body are connected by a thread
- soft-seated seats

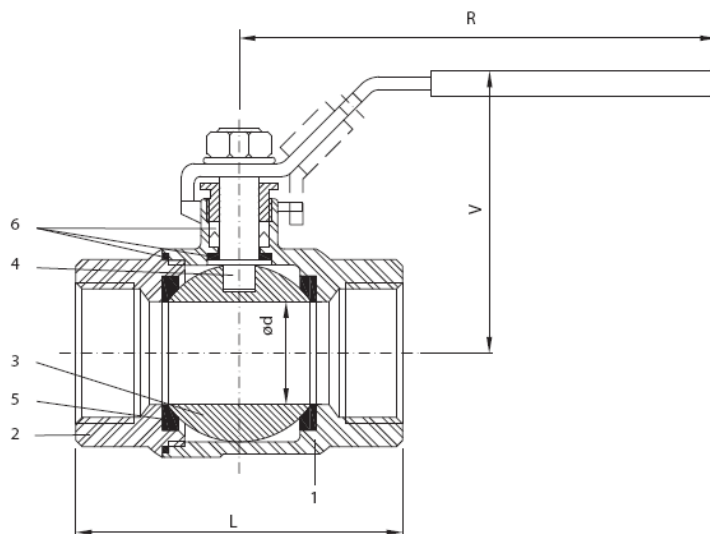
Connection to piping

- threaded ends

Material

Position	Component	Material
1	Body	CF8M
2	Cover	CF8M
3	Ball	SUS316
4	Stem	CF8M
5	Seat	PTFE
6	Seal	PTFE

DN 8-100 PN 63
DN 25-50 PN 40
DN 65-80 PN 25
DN 100 PN 20



PN 16

DN	NPS	Ød	L	V	R	kg
8	1/4"	10	50	45	100	0,21
10	3/8"	12,5	50	45	100	0,19
15	1/2"	15	59	50	100	0,28
20	3/4"	20	69	52	103	0,4
25	1"	25	79	70	150	0,72
32	1 1/4"	32	94	75	150	1,16
40	1 1/2"	38	103	85	183	2,15
50	2"	50	123	94	183	2,77
65	2 1/2"	65	160	135	243	5,8
80	3"	80	180	145	243	8,8
100	4"	100	230	165	328	17,2

The ARMATURY Group a.s. company reserves the right for changes of technical products-specifications, and is not responsible for incidental misprints. Issued in February 2016.