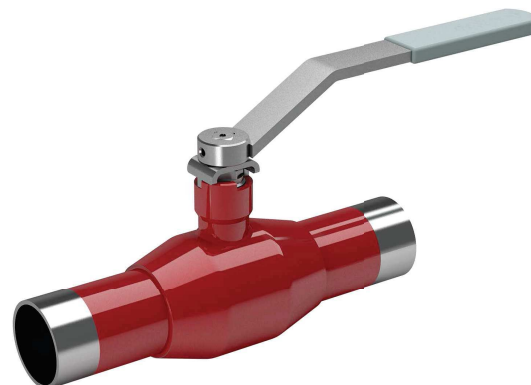


Condensate valves, reduced bore

welding / welding, EN (DIN), DN 15-150, reduced bore

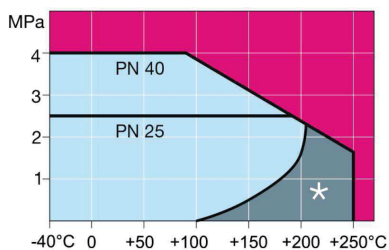
Type K85.C

Body	DN 15-150 Steel, P235GH (1.0345)
Ball	DN 15-150 Stainless steel, X5CrNi18-10 (1.4301)
Ball seal	DN 15-150 PTFE+GF
Stem	DN 15-150 Stainless steel, X8CrNiS18-9 (1.4305)
Stem seal	DN 15-50 Graphite
	DN 65-150 KALREZ/EPDM
Operation	DN 15-150 With zinc-plated steel handle

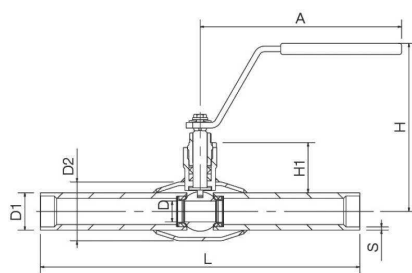


Operation conditions

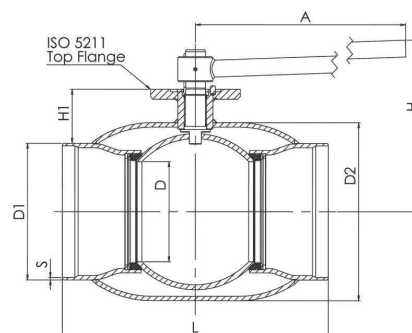
DN15-150: -40 °C – +250 °C
 DN200-250: -40 °C – +200 °C
 Below -20 °C contact manufacturer
 *) Not for superheated steam
 Leakage rate A (EN 12266-1)



DN 15-150



DN 200-250



DN	PN	Product no.	A	D	D1	D2	H	H1	L	S	kg
15	40	170015	145	10	21.3	33.7	117	31	230	2,0	0.7
20	40	170020	145	15	26.9	42.4	121	33	230	2,3	0.9
25	40	170025	145	20	33.7	48.3	139	46	230	2,6	1.4
32	40	170032	145	25	42.4	60.3	142	45	260	2,6	1.6
40	40	170040	276	32	48.3	70.0	143	50	260	2,6	2.5
50	40	170050	276	40	60.3	88.9	150	50	300	2,9	3.4
65	25	170065	278	50	76.1	101.6	159	61	300	2,9	4.1
80	25	170080	278	65	88.9	121.0	171	68	300	3,2	5.4
100	25	170100	278	80	114.3	146.0	218	100	325	3,6	8.5
125	25	170125	400	100	139.7	177.8	253	101	325	4	15.2
150	25	170150	600	125	168.3	219.1	272	107	350	4,5	20.4

Condensate valves, reduced bore

flange / flange, DN 15-150, reduced bore

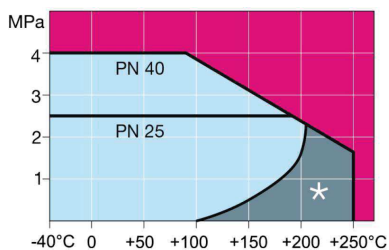
Type K85.C

Body	DN 15-150 Steel, P235GH (1.0345)
Ball	DN 15-150 Stainless steel, X5CrNi18-10 (1.4301)
Ball seal	DN 15-150 PTFE+GF
Stem	DN 15-150 Stainless steel, X8CrNiS18-9 (1.4305)
Stem seal	DN 15-50 Graphite DN 65-150 KALREZ/EPDM
Operation	DN 15-150 With zinc-plated steel handle
Flanges	EN 1092-1 Available PN 10, 16, 25, 40

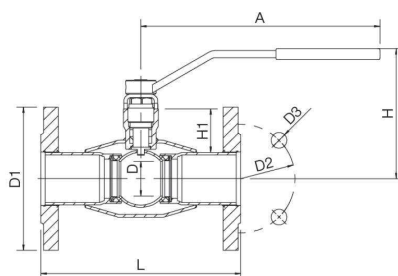


Operation conditions

DN15–150: -40 °C – +250 °C
 DN200–250: -40 °C – +200 °C
 Below -20 °C contact manufacturer
 *) Not for superheated steam
 Leakage rate A (EN 12266-1)



DN 15-250



DN	PN	Product no.	A	D	D1	D2	D3	H	H1	L	kg
15	40	173015	145	10	95.0	65.0	14.0	117	32	130	2.0
20	40	173020	145	15	105.0	75.0	14.0	121	33	150	2.6
25	40	173025	145	20	115.0	85.0	14.0	139	46	160	3.4
32	40	173032	145	25	140.0	100.0	18.0	142	45	180	5.0
40	40	173040	276	32	150.0	110.0	18.0	143	50	200	6.5
50	40	173050	276	40	165.0	125.0	18.0	150	50	230	8.5
65	25	173065/25	278	50	185.0	145.0	18.0	159	62	270	11.0
80	25	173080/25	278	65	200.0	160.0	18.0	170	68	280	14.0
100	25	173100/25	278	80	235.0	190.0	22.0	218	101	300	20.2
125	25	173125/25	400	100	270.0	220.0	26.0	253	101	325	30.0
150	25	173150/25	600	125	300.0	250.0	26.0	272	107	350	39.0

Condensate valves, reduced bore

PN 25, flange / flange, DN 125-150, reduced bore

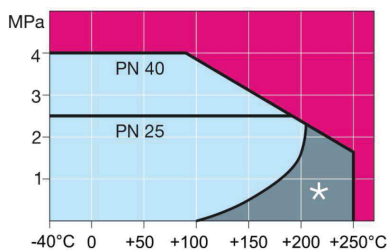
Type K85.C

Body	DN 125-150 Steel, P235GH (1.0345)
Ball	DN 125-150 Stainless steel, X5CrNi18-10 (1.4301)
Ball seal	DN 125-150 PTFE+GF
Stem	DN 125-150 Stainless steel, X8CrNiS18-9 (1.4305)
Stem seal	DN 125-150 KALREZ/EPDM
Operation	DN 125-150 Valve is equipped with manual gear
Flanges	EN 1092-1 Available PN 10, 16, 25, 40

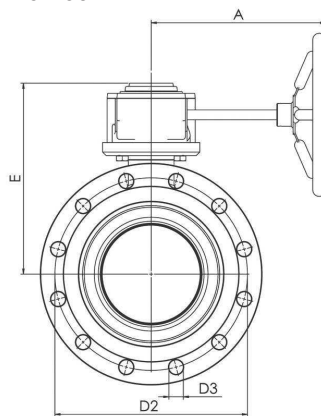


Operation conditions

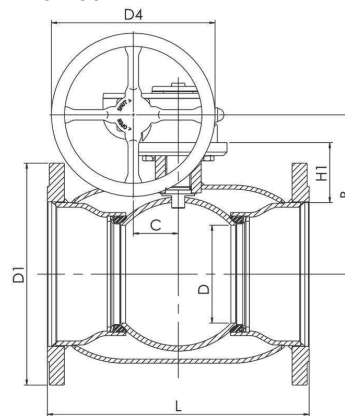
DN15–150: -40 °C – +250 °C
 DN200–250: -40 °C – +200 °C
 Below -20 °C contact manufacturer
 *) Not for superheated steam
 Leakage rate A (EN 12266-1)



DN 125-250



DN 125-250



DN	PN	Product no.	A	B	C	D	D1	D2	D3	D4	E	H1	L	kg
125	25	174126/25	224	216	53	100	270.0	220.0	26.0	200.0	258	112	325	35.0
150	25	174151/25	224	236	53	125	300.0	250.0	26.0	200.0	279	118	350	44.0

Condensate valves, reduced bore

welding / welding, EN (DIN), DN 125-150, reduced bore

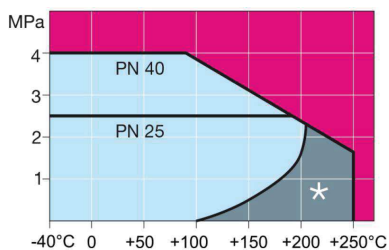
Type K85.C

Body	DN 125-150 Steel, P235GH (1.0345)
Ball	DN 125-150 Stainless steel, X5CrNi18-10 (1.4301)
Ball seal	DN 125-150 PTFE+GF
Stem	DN 125-150 Stainless steel, X8CrNiS18-9 (1.4305)
Stem seal	DN 125-150 KALREZ/EPDM
Operation	DN 125-150 Valve is equipped with manual gear

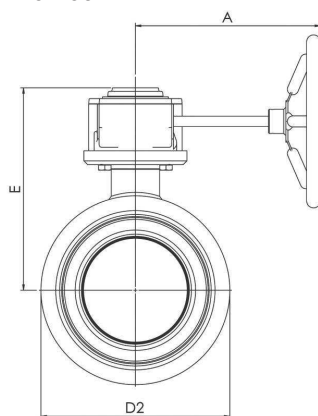


Operation conditions

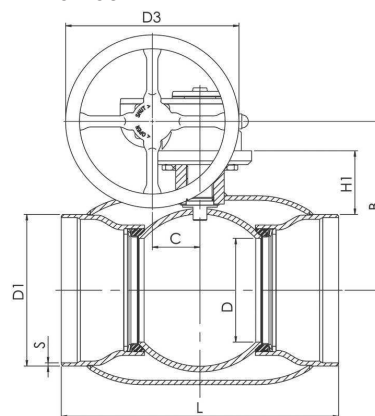
DN15–150: -40 °C – +250 °C
 DN200–250: -40 °C – +200 °C
 Below -20 °C contact manufacturer
 *) Not for superheated steam
 Leakage rate A (EN 12266-1)



DN 125-250



DN 125-250



DN	PN	Product no.	A	B	C	D	D1	D2	D3	E	H1	L	S	kg
125	25	174125	224	217	53	100	139.7	177.8	200.0	259	113	325	4	20.0
150	25	174150	224	237	53	125	168.3	219.1	200.0	280	119	350	4,5	25.0