

**Application**

Gate valves are isolating valves designed for full closing or opening of working media flow. If the gate valves are used for regulating or throttling purposes, the manufacturer does not guarantee tightness of the gate valves. For regulation we recommend to use special control gate valve type S33.C.

**Working medium**

- water
- non-corrosive liquids
- steam
- air
- gases of group 1 and 2
- petroleum and petroleum products

The service fluids shall not contain rough impurities.

**Technical description**

The gate valve is an outside-screw-and-yoke, with flexible or solid wedge, rising or non-rising stem. The body and the bonnet are made of castings and are connected by a flanged joint. The seating surfaces of the seats and the wedge are made in compliance with API 600. The seat rings are welded into the body. The gate valves are equipped with a back seat. The gate valves are a bi-directional sealing valves. The body-bonnet joint and the packing chamber are sealed with asbestos-free gasket and packing which guarantee a long life service. The requirement for an automatic body cavity pressure relief shall be specified in the purchase order. Pressure relief can be achieved by:

- drilling a hole through one disc of the wedge,
- special valve incorporated into the wedge,
- external bypass.

TA-Luft design on request.

**Connection to the piping**

- **flanged ends** - acc. to EN 1092-1 or GOST, face-to-face dimensions are acc. to EN 558, Series 14, 15 and 26 or GOST
- **welded ends** - acc. to EN 12627

**Operation**

The gate valves are delivered with a handwheel, a manual bevel gear, an electric actuator or bare stem ready for connection to an actuator. The standard connecting dimensions for connection to a manual gear or an electric actuator meet the requirements of ISO 5210.



**Accessories**

The gate valves can be equipped with the following accessories:

- drain valve,
- air-vent valve,
- by-pass valves,
- stand for remote control, including chains and chain wheels,
- vent plugs,
- gland packing „live loading“.

**Testing**

The gate valves are subjected to the following tests performed with water:

- shell strength test
- shell tightness test
- seat tightness test and operability test according to EN 12266.
- other tests by agreement.

**Installation**

The gate valves may be installed into the piping in vertical or horizontal position. In case of gate valves equipped with an electric actuator or a pneumatic actuator, must you follow instructions of the manufacturer of actuators.

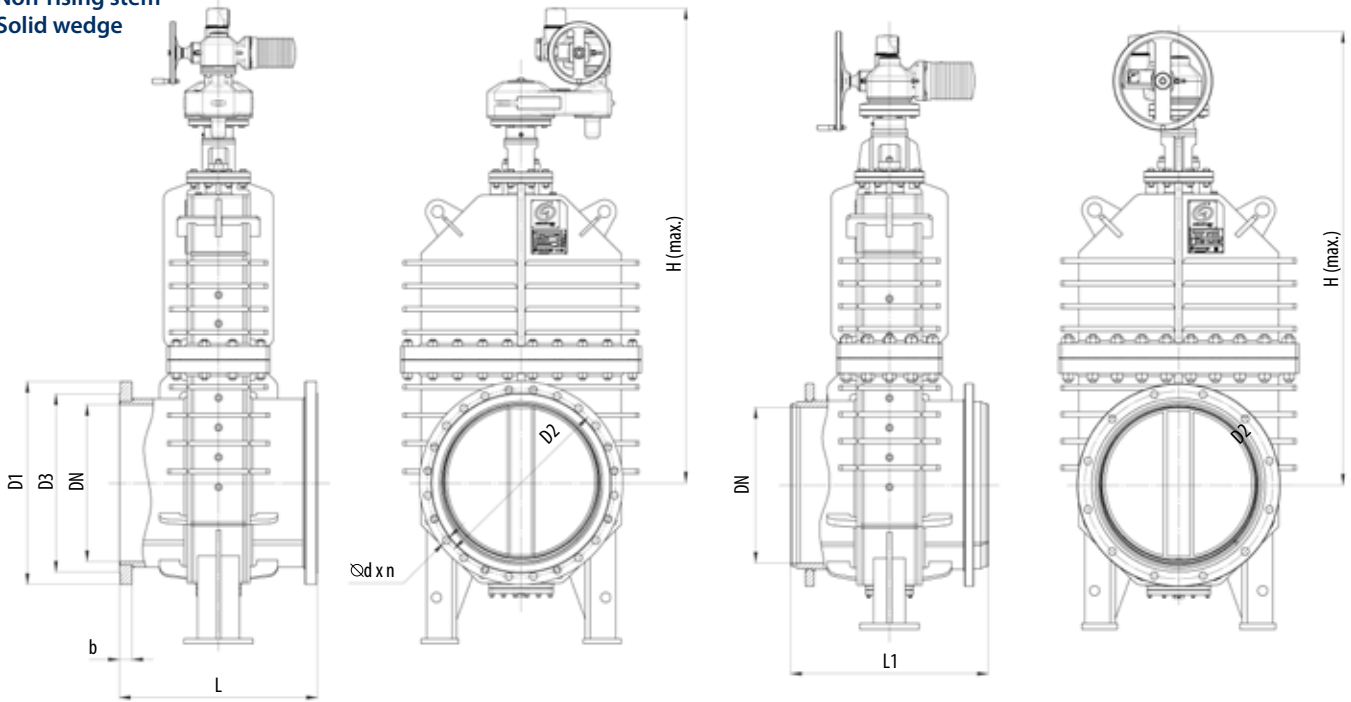
**Production range**

Typ	PN	DN																						
		50	65	80	100	125	150	200	250	300	350	400	500	600	700	800	900	1000	1200	1400	1600	1800	2000	
S33.1 S33.C*	16	*	*	*	*	*	*	*	*	*	*	*	*	*										
	25	*	*	*	*	*	*	*	*	*	*	*	*	*										
	40	*	*	*	*	*	*	*	*	*	*	*	*	*										
	63	*	*	*	*	*	*	*	*	*	*	*	*	*										
	100	*	*	*	*	*	*	*	*	*	*	*	*	*										
S33.2	6, 10, 16	*	*	*	*	*	*	*	*	*	*	*	*											
S33.3	16	*	*	*	*	*	*	*	*	*	*	*	*											
S33.4 S33.C*	2,5												*	*	*	*	*	*	*	*	*	*	*	*
	6												*	*	*	*	*	*	*	*	*	*	*	*
	10												*	*	*	*	*	*	*	*	*	*	*	*
	16												*	*	*	*	*	*	*	*	*	*	*	*
	25												*	*	*	*	*	*	*	*	*	*	*	*
S33.5	10												*	*	*	*	*	*	*	*	*	*	*	*
	16												*	*	*	*	*	*	*	*	*	*	*	*
	25												*	*	*	*	*	*	*	*	*	*	*	*

\* DN 150 and higher in cast design (S33.1)  
Up to DN 1200 in welded design (S33.4)

DN 500-1200 • PN 10-25 • Tmax 250 °C  
 Body design: bonnet gate valve  
 Body, bonnet, wedge: fully welded  
 Non-rising stem  
 Solid wedge

Connection: EN 1092-1 FLANGED ENDS  
 EN 12 627 WELDED ENDS



**PN 10**

DN	D1	D2	D3	L	H (max.)*	b	Ød x n	kg	BW	
									L1	kg
500	670	620	585	700	1 950	30	26 x 20	1 050	700	1 010
600	780	725	685	800	2 220	35	30 x 20	1 250	800	1 190
700	895	840	800	900	2 490	40	30 x 24	1 890	900	2 750
800	1 015	950	905	1 000	2 700	45	33 x 24	2 400	1 000	2 120
900	1 115	1 050	1 005	1 100	2 970	50	33 x 28	3 090	1 100	2 790
1000	1 230	1 160	1 110	1 200	3 190	60	36 x 28	4 100	1 200	3 800
1200	1 455	1 380	1 330	1 400	3 550	75	39 x 32	5 300	1 400	4 950

**PN 16**

DN	D1	D2	D3	L	H (max.)*	b	Ød x n	kg	BW	
									L1	kg
500	715	650	610	700	2 000	45	33 x 20	1 190	700	1 100
600	840	770	725	800	2 300	50	36 x 20	1 390	800	1 290
700	910	840	795	900	2 550	55	36 x 24	2 250	900	2 050
800	1 025	950	900	1 000	2 800	65	39 x 24	3 090	1 000	2 690
900	1 125	1 050	1 000	1 100	3 060	70	39 x 28	4 050	1 100	3 700
1000	1 255	1 170	1 115	1 200	3 300	85	42 x 28	5 190	1 200	4 780
1200	1 485	1 390	1 330	1 400	3 700	105	48 x 32	6 850	1 400	7 390

**PN 25**

DN	D1	D2	D3	L	H (max.)*	b	Ød x n	kg	BW	
									L1	kg
500	730	660	615	700	2 000	60	36 x 20	1 250	700	1 190
600	845	770	720	800	2 300	70	39 x 20	1 480	800	1 390
700	960	875	820	900	2 550	80	42 x 24	2 400	900	2 250
800	1 085	990	930	1 000	2 800	95	48 x 24	3 600	1 000	3 200
900	1 185	1 090	1 030	1 100	3 060	105	48 x 28	4 500	1 100	4 000
1000	1 320	1 210	1 140	1 200	3 300	120	56 x 28	5 790	1 200	5 150
1200	-	-	1 350	1 400	3 700	-	-	-	1 400	7 790

\* H (max.) - Maximum height in standard operation design