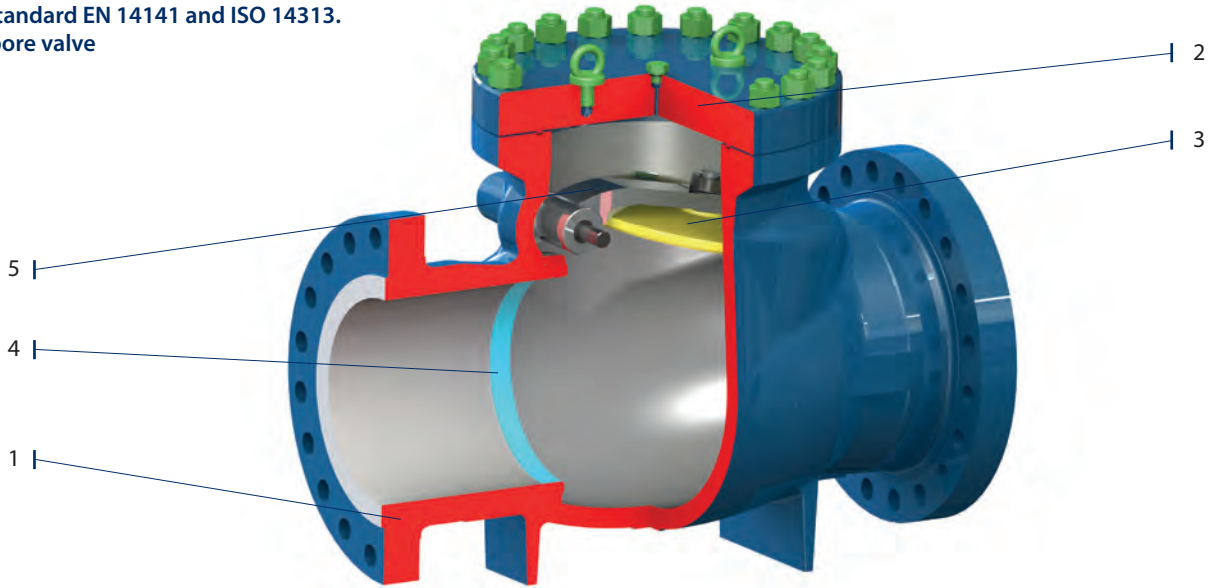




DN 300-900 • PN 40-100 • Tmax +425°C
 Body design: cast
 Design in accordance with
 the standard EN 14141 and ISO 14313.
 Full bore valve

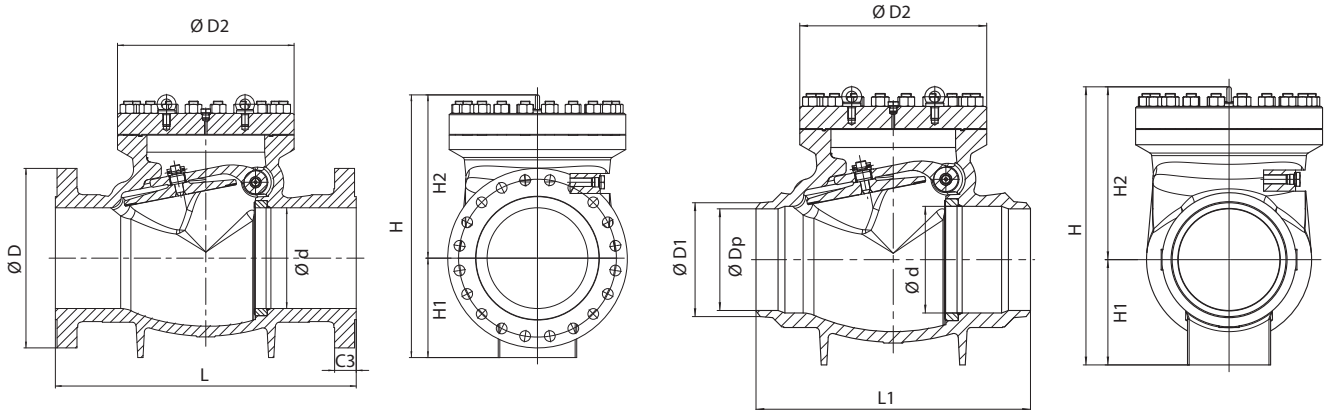
Connection: EN 1092-1 FLANGED ENDS
 EN 12 627 WELDED ENDS



Material

| Position | Component | Carbon steel from -29°C to 425°C | Carbon steel for low temperatures from -46°C to 350°C |
|----------|----------------|-------------------------------------|--|
| 1 | Body | A216 WCB | A 352 LCC |
| 2 | Bonnet | 1.0425 | A350 LF2 |
| 3 | Disc + overlay | 1.0425 + Stellite | A 350 LF2 + Stellite |
| 4 | Seat + overlay | 1.0425 + Stellite | A 350 LF2 + Stellite |
| 5 | Arm | 1.0425 | A 350 LF2 |

*other materials upon request



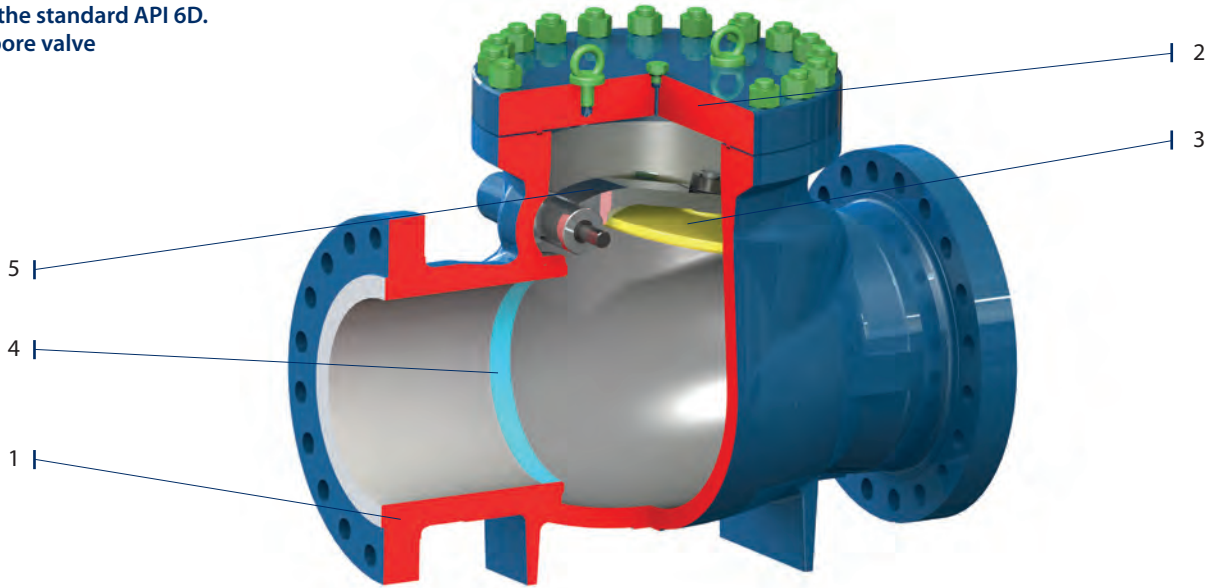
PN 40-100

| DN | PN | Ø d | Ø D2 | H | H1 | H2 | Flanged ends | | | | Welded ends | | | |
|-----|-----|-----|------|------|-----|------|--------------|----|------|------|-------------|---------------|------|------|
| | | | | | | | Ø D | C3 | L | kg | Ø D1 | Ø Dp | L1 | kg |
| 300 | 40 | 303 | 550 | 750 | 320 | 430 | 515 | 42 | 850 | 870 | 329 | acc. to order | 838 | 820 |
| 400 | | 385 | 675 | 1004 | 380 | 624 | 660 | 50 | 1100 | 1050 | 413 | | 991 | 928 |
| 600 | | 589 | 930 | 1300 | 550 | 750 | 890 | 60 | 1450 | 2890 | 619 | | 1397 | 2700 |
| 700 | | 684 | 1150 | 1800 | 550 | 1250 | 995 | 70 | 1650 | 3990 | 721 | | 1600 | 3830 |
| 300 | 63 | 303 | 550 | 750 | 320 | 430 | 530 | 52 | 900 | 920 | 329 | | 838 | 820 |
| 400 | | 385 | 675 | 1004 | 380 | 624 | 670 | 60 | 1150 | 1130 | 413 | | 991 | 928 |
| 600 | | 589 | 930 | 1300 | 550 | 750 | 930 | 72 | 1600 | 2970 | 619 | | 1397 | 2700 |
| 700 | | 684 | 1150 | 1800 | 550 | 1250 | 1045 | 85 | 1650 | 4250 | 721 | | 1600 | 3830 |
| 300 | 100 | 303 | 550 | 750 | 320 | 430 | 585 | 68 | 900 | 945 | 329 | | 838 | 820 |
| 400 | | 385 | 675 | 1004 | 380 | 624 | 715 | 78 | 1150 | 1150 | 413 | | 991 | 928 |
| 600 | | 589 | 930 | 1300 | 550 | 750 | - | - | - | - | 619 | | 1397 | 2700 |
| 700 | | 684 | 1150 | 1800 | 550 | 1250 | - | - | - | - | 721 | | 1600 | 3830 |



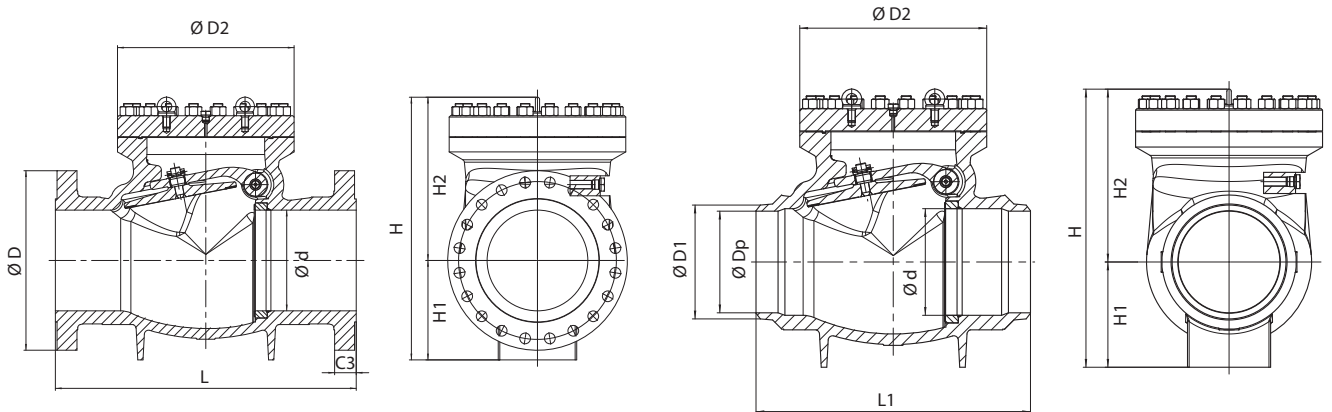
NPS 12-28 • Class 150-600 • Tmax +425 °C
 Body design: cast
 Design in accordance with the standard API 6D.
 Full bore valve

Connection: ☉ ASME B16.5, ASME B16.47 FLANGED ENDS
 * ASME B16.25 WELDED ENDS



| Position | Component | Carbon steel from -29°C to 425°C | Carbon steel for low temperatures from -46°C to 350°C |
|----------|----------------|----------------------------------|---|
| 1 | Body | A216 WCB | A 352 LCC |
| 2 | Bonnet | 1.0425 | A350 LF2 |
| 3 | Disc + overlay | 1.0425 + Stellite | A 350 LF2 + Stellite |
| 4 | Seat + overlay | 1.0425 + Stellite | A 350 LF2 + Stellite |
| 5 | Arm | 1.0425 | A 350 LF2 |

*other materials upon request



Class 150-600

| NPS | PN | Ø d | Ø D2 | H | H1 | H2 | Flanged ends | | | | Welded ends | | | |
|-----|-----|-----|------|------|-----|------|--------------|-----|------|------|-------------|---------------|------|------|
| | | | | | | | Ø D | C3 | L | kg | Ø D1 | Ø Dp | L1 | kg |
| 12 | 40 | 303 | 550 | 750 | 320 | 430 | 485 | 32 | 699 | 870 | 329 | acc. to order | 838 | 820 |
| 16 | | 385 | 675 | 1004 | 380 | 624 | 595 | 37 | 864 | 1050 | 413 | | 991 | 928 |
| 24 | | 589 | 930 | 1300 | 550 | 750 | 815 | 48 | 1295 | 2890 | 619 | | 1397 | 2700 |
| 28 | | 684 | 1150 | 1800 | 550 | 1250 | 925 | 72 | 1448 | 3990 | 721 | | 1600 | 3830 |
| 12 | 63 | 303 | 550 | 750 | 320 | 430 | 520 | 51 | 711 | 920 | 329 | | 838 | 820 |
| 16 | | 385 | 675 | 1004 | 380 | 624 | 650 | 57 | 864 | 1130 | 413 | | 991 | 928 |
| 24 | | 589 | 930 | 1300 | 550 | 750 | 915 | 72 | 1346 | 2970 | 619 | | 1397 | 2700 |
| 28 | | 684 | 1150 | 1800 | 550 | 1250 | 1035 | 86 | 1499 | 4250 | 721 | | 1600 | 3830 |
| 12 | 100 | 303 | 550 | 750 | 320 | 430 | 560 | 74 | 838 | 945 | 329 | | 838 | 820 |
| 16 | | 385 | 675 | 1004 | 380 | 624 | 685 | 84 | 991 | 1150 | 413 | | 991 | 928 |
| 24 | | 589 | 930 | 1300 | 550 | 750 | 940 | 109 | 1397 | 3150 | 619 | | 1397 | 2700 |
| 28 | | 684 | 1150 | 1800 | 550 | 1250 | - | - | - | - | 721 | | 1600 | 3830 |