



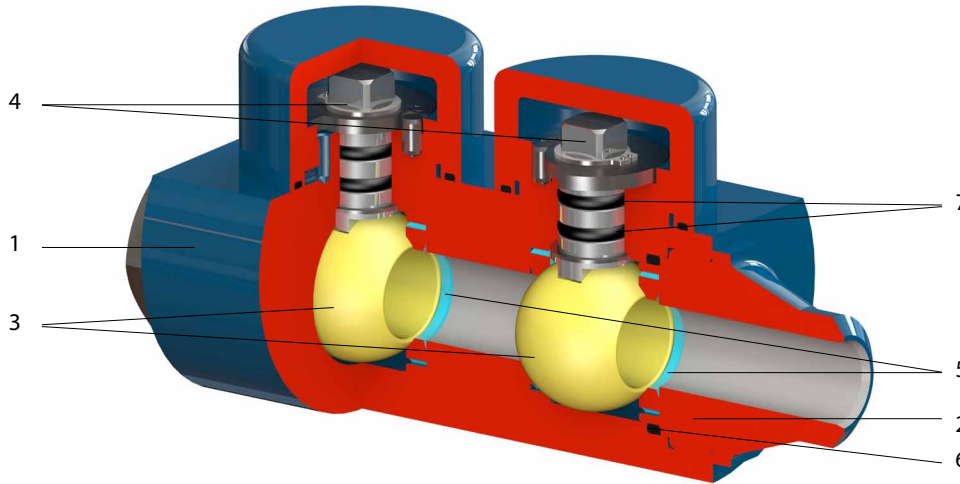
DN 15-50 • PN 16-320 • NPS 1/2"-2" • Class 150-1500

Design:

- THREADED OR FULLY WELDED

- Connection:
- ⊛ EN 12627, ASME B16.25 WELDED ENDS
 - ⊙ B16.11 SOCKET WELD
 - ⊕ ISO 228-1, ASME B1.20.1
 - OUTSIDE OR INSIDE THREADED DESIGN

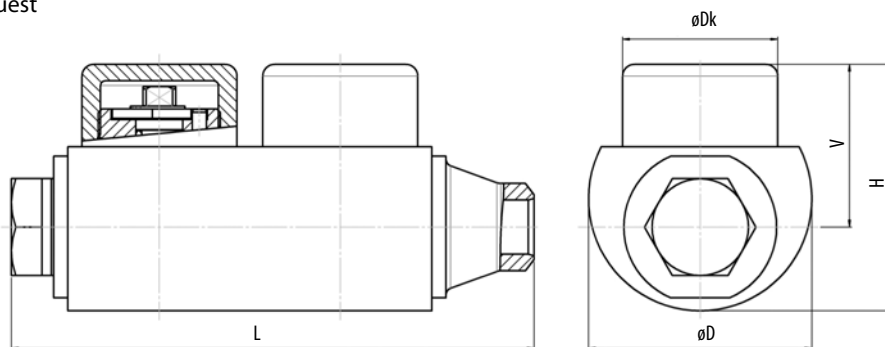
Double block and bleed design and metal seated design on request.



Standard material

Position	Component	Carbon steel		Stainless steel
		For normal temperature from -29°C to +200°C	For low temperature -46°C (-60°C) - +200°C	Austenitic steel from -60°C to +200°C
1	Body	A105, 1.0577, S355J2G3	A350 LF2, 1.0566, P355NL1	A182 F304, 1.4541 A182 F316, 1.4571
2	Closure			
3	Ball	A182 F304, A182 F316, A351 CF8		A182 F316, 1.4571, A351 CF8
4	Stem	1.4021, A182 F6a	1.4571, A182 F316, 1.4542	1.4571+ ENP Ni, A182 F316 + ENP Ni 1.4542 + ENP Ni
5	Seat	Filled PTFE, NYLON, PEEK		
6	Gasket	Filled PTFE, NYLON, PEEK		
7	O-ring	HNBR, VITON		

The temperature range can be limited, it depends on the seal material.
Other materials on request



PN / Class *	DN	NPS	L *	ød	øDk	V	H	øD	kg
PN 16-320 Class 150-1500	15	1/2"	194	14	58	54	80	72	4,2
	20	3/4"	215	19	66	62	98	87	5,4
	25	1"	223	25	66	69	105	95	8,2
PN 16-160 Class 150-900	50	2"	381	50	94	104	171	155	35

* Higher PN (Class) are supplied on request.
Standard face to face dimensions acc. to the table. Other end to end dimensions on request.