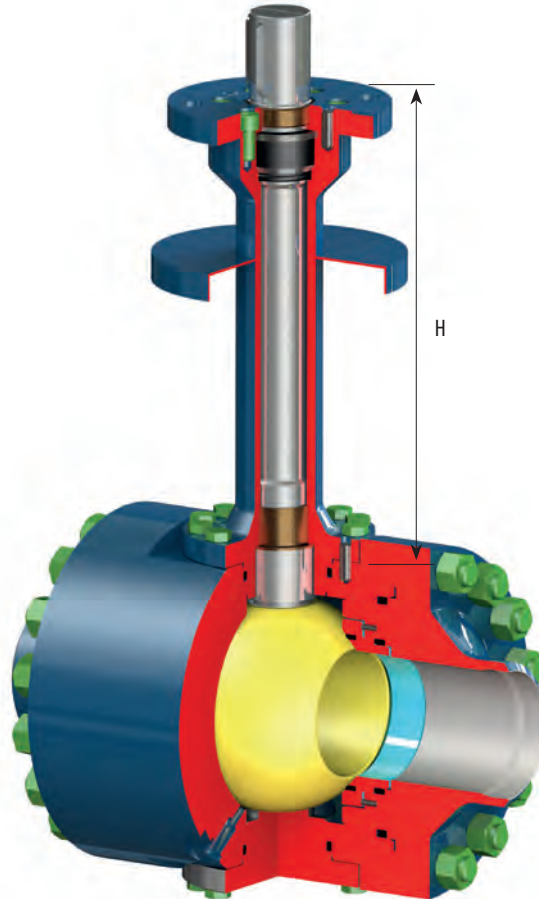


### Design:

- DN 100 (4") - DN 500 (20")
- PN16 (class 150) - PN 160 (class 900)
- Temperature range of transported medium is from -47 °C to -196 °C (liquid nitrogen -196 °C, LNG -162 °C)
- The design of the ball valves is acc. to EN 1626, EN 12567, EN 12300, API 6D
- Extension length is acc. to BS 6364, Shell MESC SPE 77/200

### Cryogenic ball valves meet:

- Full Bore and Reduced Bore design
- Anti blow-out design
- Anti-static device
- Double Block and Bleed design
- Fire safe design



### Standard material

Component	Stainless steel	
	For temperatures from -47 °C to -105 °C	For temperatures from -105 °C to -196 °C
Body	A182 F316	A182 F316
Bonnet		
Ball	A182 F316	
Stem, bottom stem	A182 F316	A182 F316
Seat – basic material	A182 F316	
Bolt	A193 B8M Cl.2	
Nut	A194 8M	
Stem extension	A182 F316	
Seat inserts	RPTFE	PCTFE (KEL-F)
Seals	LIP-SEAL(PTFE+Elgiloy), Graphite	LIP-SEAL(PTFE+Elgiloy), Graphite

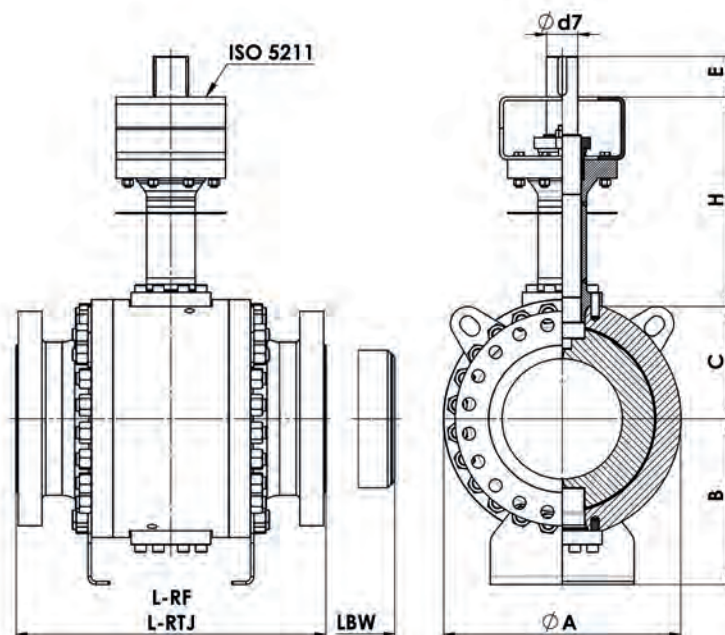


NPS 4"- 20" • CLASS 150-900

**Design:**

- SPLIT BODY

Connection: ASME B16.5 FLANGED ENDS  
 ASME B16.25 WELDED ENDS



### Class 150 • PN 16-25

NPS / DN	Dimensions [mm]											ISO 5211	kg (without extension)	
	øD	L <sub>RF</sub>	L <sub>BW</sub>	L <sub>RTJ</sub>	øA	B	C	E	H (-109°C)	H (-196°C)	ød <sub>7</sub>		RF	BW
8" / 200	201	457	521	470	440	340	609	65	210	400	50	F16	295	260
10" / 250	252	533	559	546	490	365	660	65	225	425	50	F16	381	345
12" / 300	303	610	635	662	575	410	725	75	250	450	60	F25	652	580
14" / 350	334	686	762	699	630	435	774	85	275	475	70	F25	965	903
16" / 400	385	762	838	775	720	480	846	85	300	500	70	F25	1 325	1 130
18" / 450	436	864	914	876	790	515	907	85	325	525	70	F25	1 665	1 420
20" / 500	487	914	991	927	880	610	975	100	350	550	80	F30	2 050	1 900

### Class 300 • PN 40

NPS / DN	Dimensions [mm]											ISO 5211	kg (without extension)	
	øD	L <sub>RF</sub>	L <sub>BW</sub>	L <sub>RTJ</sub>	øA	B	C	E	H (-109°C)	H (-196°C)	ød <sub>7</sub>		RF	BW
8" / 200	201	502	521	518	460	350	618	65	210	400	50	F16	310	269
10" / 250	252	568	559	584	500	370	663	75	225	425	60	F25	395	355
12" / 300	303	648	635	664	595	420	735	85	250	450	70	F25	665	590
14" / 350	334	762	762	778	660	450	790	85	275	475	70	F25	980	920
16" / 400	385	838	838	854	745	495	858	100	300	500	80	F25	1 350	1 161

### Class 400-600 • PN 63-100

NPS / DN	Dimensions [mm]											ISO 5211	kg (without extension)	
	øD	L <sub>RF</sub>	L <sub>BW</sub>	L <sub>RTJ</sub>	øA	B	C	E	H (-109°C)	H (-196°C)	ød <sub>7</sub>		RF	BW
6" / 150	150	559	559	562	360	280	542	65	200	375	50	F16	286	230
8" / 200	201	660	660	664	480	360	625	75	210	400	60	F16	487	383
10" / 250	252	787	787	791	530	385	678	90	225	425	70	F25	727	592
12" / 300	303	838	838	841	605	425	737	95	250	450	75	F25	920	780

### Class 900 • PN160

NPS / DN	Dimensions [mm]											ISO 5211	kg (without extension)	
	øD	L <sub>RF</sub>	L <sub>BW</sub>	L <sub>RTJ</sub>	øA	B	C	E	H (-109°C)	H (-196°C)	ød <sub>7</sub>		RF	BW
4" / 100	100	457	457	460	310	230	500	50	175	350	38	F14	200	180
6" / 150	150	610	610	613	390	295	552	70	200	375	55	F16	335	290
8" / 200	201	737	737	740	510	375	635	85	210	400	70	F25	515	430

B and C dimensions are informative only and may vary depending on the accessories and the temperature of the working medium of the ball valves.

° Weights are informative only because of potential technological deviations.