

BIDIRECTIONAL TIGHTNESS GATE VALVE S76.1 FIG 178

Application

- Water, water treatment, chemical pulp, powders, food industry, chemistry

**DN 50-500
PN 10**

Working temperature

- Min. temperature: -10°C for NBR seat (-15°C for EPDM)
- Max. temperature: +90°C for NBR seat (+110°C for EPDM)

Technical description

- Opened or closed valve
- Non rising stem and handwheel
- Bidirectional tightness
- Weak head loss
- Between flanges ISO PN10
- Full crossing threaded lower holes and blind threaded top holes
- 50% epoxy 50% polyester painting blue colour RAL 5005, 150 µm thickness

Connection to piping

- between flanges ISO PN 10

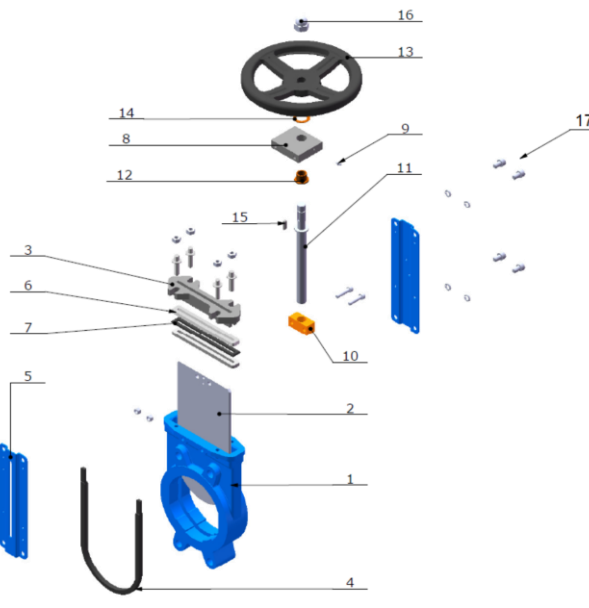
Operation

- With handwheel
- With lever or chain handwheel (option)

Material



Position	Component	Material
1	Body	Cast iron EN GJL-250
2	Gate	SS 304
3	Packing gland	Ductile Iron EN GJS-400-15
4	Seat	NBR
5	Support	Painted steel
6	Packing (Tress)	PTFE
7	Packing (O ring)	NBR
8	Yoke	A3 Steel
9	Greaser	Steel
10	Stem nut	Bronze
11	Stem	SS 303
12	Stem nut	Bronze
13	Handwheel	A3 Steel
14	Ring	Bronze
15	Pin	Steel
16	Handwheel nut	Zinc-coated Steel
17	Bolting	Zinc-coated 8.8 steel



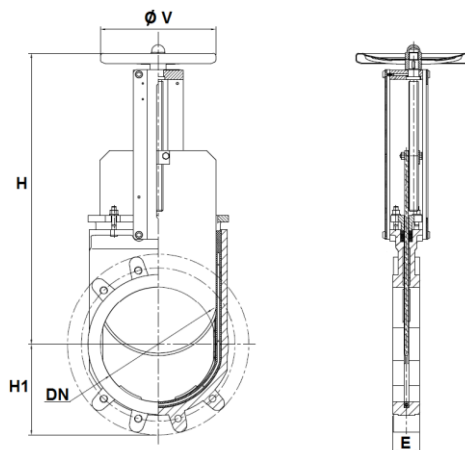
Min and max seat temperature with references

SEAT	TEMPERATURE	DN 50	DN 65	DN 80	DN 100	DN 125	DN 150	DN 200	DN 250	DN 300	DN 350	DN 400	DN 450	DN 500
NBR	-10°C to +90°C	9802240	9802241	9802242	9802243	9802244	9802245	9802246	9802247	9802248	9802249	9802250	9802251	9802252
EPDM	-15°C to +110°C	9802260	9802261	9802262	9802263	9802264	9802265	9802266	9802267	9802268	9802269	9802270	9802271	9802272
FKM	-10°C to +180°C	9802280	9802281	9802282	9802283	9802284	9802285	9802286	9802287	9802288	9802289	9802290	9802291	9802292

BIDIRECTIONAL TIGHTNESS GATE VALVE S76.1 FIG 178

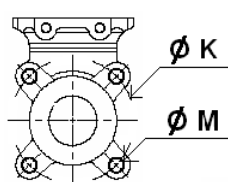
Range

- Between flanges ISO PN10, Cast iron body, SS 304 gate, NBR seat, with handwheel **Ref. 178** from DN 50 to DN 500
- Between flanges ISO PN10 Cast iron body, SS 304 gate, NBR seat, with handwheel, with limit switch for opened position **Ref. 178051 to 170401** from DN 50 to DN 400
- Chain handwheel (on request) :
 - **Ref. 9801796** from DN 50 to DN 150
 - **Ref. 9801797** from DN 200 to DN 300
 - **Ref. 9801798** from DN 350 to DN 500
- Chain (per meter) **Ref. 9801795**
- Carbon steel lever **Ref. 9801780 to 9801788** from DN 50 to DN 300
- Stainless steel support with bolting **Ref. 9802001 to 9802011** from DN 50 to DN 400

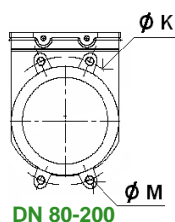


PN 10

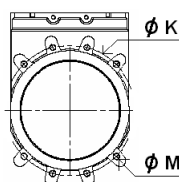
DN	50	65	80	100	125	150	200	250	300	350	400	450	500
E	40	40	50	50	50	60	60	70	70	96	100	106	110
H	286	316	342	382	415	458	575	676	776	906	1012	1098	1210
H1	63	70	92	105	120	130	160	198	234	256	292	308	340
Ø V	200	200	200	200	250	250	300	300	300	500	500	500	500
Weight (Kg)	6,2	6,8	8	9,9	12,7	16,9	25,4	42,7	59	119	144	166	203
Ø K	125	145	160	180	210	240	295	350	400	460	515	565	620
Ø M	M16	M16	M16	M16	M16	M20	M20	M20	M20	M20	M24	M24	M24
Nb threaded hole	4	4	4	4	4	4	4	8	8	10	10	14	14
A	8	8	9	9	9	10	10	12	12	20	20	24	24



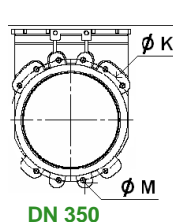
DN 50-65



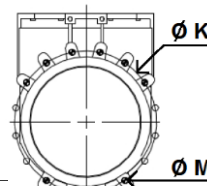
DN 80-200



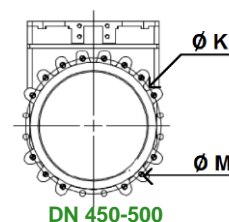
DN 250-300



DN 350



DN 400



DN 450-500

Max. pressure

DN	50	65	80	100	125	150	200	250	300	350	400	450	500
Pa (bar)	10	10	10	10	10	10	10	8	6	4	4	3	3

The ARMATURY Group a.s. company reserves the right for changes of technical products-specifications, and is not responsible for incidental misprints. Issued in February 2016.