

S24 FIG 2002, 2111

SOFT WEDGE GATE VALVE

Application

- used to flow closing; for water, potable water and other inert fluids

Working medium

- water
- potable water
- other inert fluids

Working temperature

- up to +70°C

Technical description

- sela „O“ ring – „DRY THREAD“ replaceable under pressure
- stainless steel spindle with rolled thread and bearing
- total surface rubbered wedge with replaceable spindle nut
- all parts are protected against corrosion
- standard execution: PN16, 70°C EPDM, epoxide paint, without hand wheel
- 2111** – acc. to DIN F4
- 2002** – acc. to DIN F5

Testing

- certification CE
- hygienic attest by PZH

Connecting to piping

- flanged ends acc. to EN 1092-2:1999

Installation

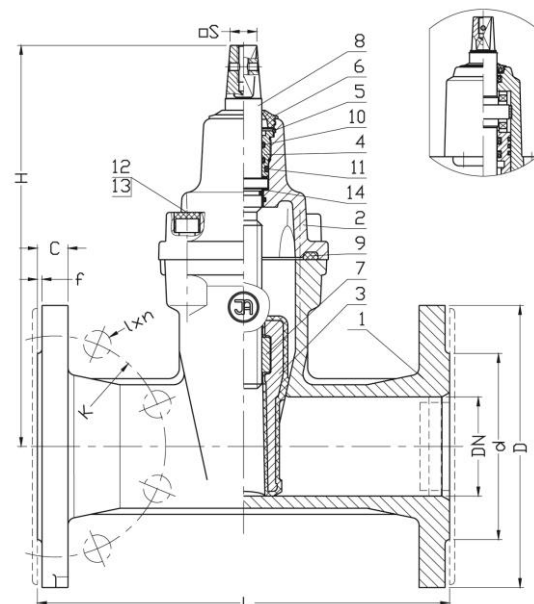
- vertical position
- horizontal position

Material

Position	Component	Material
1	body	ductile iron
2	bonnet	ductile iron
3	wedge	ductile iron
4	packing cork	brass
5	stopper ring	steel 65G
6	clean gasket	EPDM
7	spindle nut	brass
8	spindle	steel X20Cr13
9	bonnet gasket	EPDM
10,11	seal „O“ ring	EPDM
12	screw	steel Fe/Zn5, stainless steel
13	screw stopper	paraffin
14	washer	polyetylen

• Other executions on request

DN 32-600
PN 10-16



S24 FIG 2002, 2111

SOFT WEDGE GATE VALVE



PN 10

DN	L (2111)	L (2002)	H	d	D	K	I	C	f	n	S	m 2111 (kg)	m 2002 (kg)
32	130	140	145	88	140	100	19	18	3	4	12	5	6
40	140	240	220	88	150	110	19	18	3	4	14	9	10
50	150	250	230	102	165	125	19	20	3	4	14	10	11
65	170	270	265	122	185	145	19	20	3	4	17	14	16
80	180	280	290	138	200	160	19	22	3	8	17	15	17
100	190	300	325	158	220	180	19	24	3	8	19	21	23
125	200	325	365	188	250	210	19	22	3	8	19	31	39
150	210	350	457	212	285	240	23	26	3	8	19	41	48
200	230	400	534	268	340	295	23	22	3	8	24	62	77
250	250	450	633	320	405	350	23	32	3	12	27	94	106
300	270	500	708	378	460	400	23	32	4	12	27	122	148
350	290	550	790	429	520	460	23	32	4	16	27	216	254
400	310	600	1020	480	580	515	28	32	4	16	32	298	345
450	330	-	1090	548	640	565	28	32	4	20	32	350	-
500	350	700	1220	582	670	620	28	34	4	20	36	458	540
600	390	800	1390	720	780	725	31	36	5	20	36	640	776
600*	390	-	1390	800	895	840	31	33	5	24	36	670	-

PN 16

DN	L (2111)	L (2002)	H	d	D	K	I	C	f	n	S	m 2111 (kg)	m 2002 (kg)
32	130	140	145	88	140	100	19	18	3	4	12	5	6
40	140	240	220	88	150	110	19	18	3	4	14	9	10
50	150	250	230	102	165	125	19	20	3	4	14	10	11
65	170	270	265	122	185	145	19	20	3	4	17	14	16
80	180	280	290	138	200	160	19	22	3	8	17	15	17
100	190	300	325	158	220	180	19	24	3	8	19	21	23
125	200	325	365	188	250	210	19	22	3	8	19	31	39
150	210	350	457	212	285	240	23	26	3	8	19	41	48
200	230	400	534	268	340	295	23	22	3	12	24	62	77
250	250	450	633	320	405	355	28	32	3	12	27	94	106
300	270	500	708	378	460	410	28	32	4	12	27	122	148
350	290	550	790	429	520	470	28	32	4	16	27	216	254
400	310	600	1020	480	580	525	31	32	4	16	32	298	345
450	330	-	1090	548	640	585	31	32	4	20	32	350	-
500	350	700	1220	582	715	650	34	34	4	20	36	458	540
600	390	800	1390	720	840	770	37	36	5	20	36	640	776
600*	390	-	1390	800	910	840	37	33	5	24	36	670	-

The ARMATURY Group a.s. company reserves the right for changes of technical products-specifications, and is not responsible for incidental misprints. Issued in February 2016.