

### Application

- closing valve
- it is not appropriate as a control valve
- the valve can be used in accordance with applicable standards and regulations for these parameters

**DN 15-200**  
**PN 16**

### Working medium

- water
- steam
- oil

### Working temperature

- up to 200°C

### Connecting to piping

- flanged ends acc. to EN 1092-2

### Testing

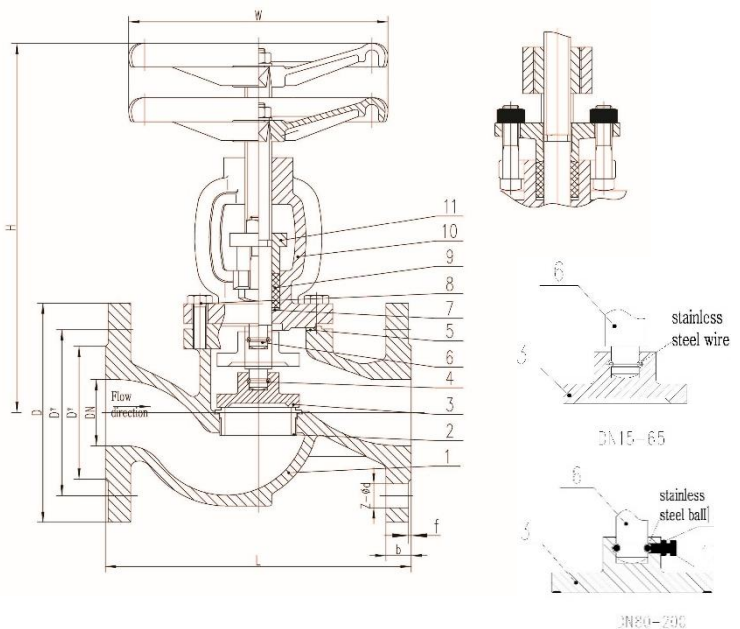
- acc. to EN – 12266-1

### Installation

- horizontal or vertical position
- respect the flow direction

### Material

Position	Component	Material
1	Body	GGG40
2	Body seal ring	Z2Cr13
3	Disc (DN15-65)	Z2Cr13
3	Disc (DN 80-200)	A105 + Z2Cr13
4	Stainless steel wire/ball	304
5	Gasket	Reinforce graphite
6	Stem	2Cr13
7	Packing washer	Carbon steel
8	Bolt	35# steel
9	Packing	Grpahite
10	Bonnet	GGG40
11	Packing gland	Ductile iron



### PN 16

DN	L	D	D <sub>1</sub>	D <sub>2</sub>	b - f	Z - ød	H	W
15	130	95	65	46	14 - 2	4 - Ø14	180/167	96
20	150	105	75	56	16 - 2	4 - Ø14	179/166	96
25	160	115	85	65	16 - 2	4 - Ø14	200/183	120
32	180	140	100	76	18 - 2	4 - Ø19	231/215	140
40	200	150	110	84	18 - 2	4 - Ø19	247/220	140
50	230	165	125	99	20 - 2	4 - Ø19	270/239	200
65	290	185	145	120	20 - 2	4 - Ø19	306/266	200
80	310	200	160	132	22 - 2	8 - Ø19	363/317	240
100	350	220	180	156	24 - 2	8 - Ø19	397/339	280
125	400	250	210	184	26 - 2	8 - Ø19	472/411	360
150	480	285	240	211	26 - 2	8 - Ø23	514/441	360
200	600	340	295	266	30 - 2	12 - Ø23	576/498.5	400

The ARMATURY Group a.s. company reserves the right for changes of technical products-specifications, and is not responsible for incidental misprints. Issued in August 2020.