

BALL VALVE K91.11 FIG F212

Application

- oil and gas
- petrochemical and chemical industry
- power industry
- water supply

Working medium

- gas
- liquids, impurities must not be abrasive

Working temperature

- + 200°C

Technical description

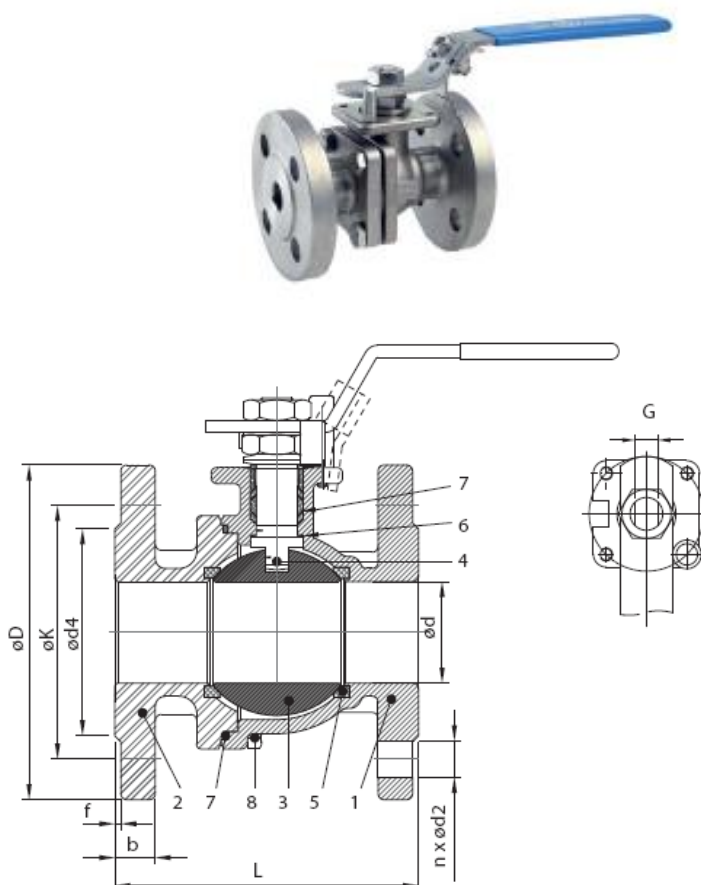
- cast body
- two-pieces body
- soft-seated seats
- anti-blow out stem
- ANTISTATIC

Connection to piping

- flanged ends

Material

Position	Component	Material
1	Body	1.4408
2	Cover	1.4408
3	Ball	1.4408
4	Stem	1.4401
5	Seat	PTFE
6	Gasket	PTFE + 50 % SUS
7	Joint gasket	PTFE
8	Bolts	1.4301



PN 10-16

DN	Ød	ØD	b	ØK	Ød ₄	f	n	d ₂	L	G	ISO 5211	kg
65	65	185	18	145	122	3	4	18	170	14	F07	12,5
80	80	200	20	160	138	3	8	18	180	18	F10	20
100	100	220	20	180	158	3	8	18	190	18	F10	26
125	125	250	22	210	188	3	8	18	325	22	F10	48
150	150	285	22	240	212	3	8	22	350	27	F12	62
200	200	340	24	295	268	3	12	22	400	27	F12	130
250	250	405	26	355	320	3	12	26	450	36	F14	256

PN 25-40

DN	Ød	ØD	b	ØK	Ød ₄	f	n	d ₂	L	G	ISO 5211	kg
15	15	95	16	65	45	2	4	14	115	9	F05	2,6
20	20	105	18	75	58	2	4	14	120	9	F05	3,2
25	25	115	18	85	68	2	4	14	125	10	F05	4
32	32	140	18	100	78	2	4	18	130	10	F05	5,6
40	40	150	18	110	88	3	4	18	140	14	F07	7,6
50	50	165	20	125	102	3	4	18	150	14	F07	10,1
65	65	185	22	145	122	3	8	18	170	14	F07	13,5
80	80	200	24	160	138	3	8	18	180	18	F10	22
100	100	235	24	190	162	3	8	22	190	18	F10	29,8
125	125	270	26	220	184	3	8	26	325	22	F10	54
150	150	300	28	250	218	3	8	26	350	27	F12	80,5
200	200	375	34	320	285	3	12	30	400	27	F12	140
250	250	450	38	385	345	3	12	33	450	36	F14	280

The ARMATURY Group a.s. company reserves the right for changes of technical products-specifications, and is not responsible for incidental misprints. Issued in February 2016.