

L32.5S FIG 1123, 1125 CENTRIC BUTTERFLY VALVE

**DN 32/40-300
PN 10-16**

Application

- Sewage treatment plants, water treatment plants
- Heating systems
- Industrial processes where liquid and gaseous media are conveyed
- The gas industry, the petrochemical industry, after an arrangement with the supplier, in other fields

Working medium

- all common liquids

Working temperature

- from -10 °C to +110 °C (temporarily +130 °C)

Maximal pressure

- up to DN 300 – 16 bar
- from DN 350 - 10 bar

Technical description

- The butterfly valve is bidirectional valve. The valve disc is centrally attached to shaft pivoted in friction bearings. The valve bore and flange surfaces are lined by rubber liner.
- **1123** – disc from stainless steel - CF8M
- **1125** – disc from ductile iron

Operation

- **With lever– from DN 32/40 to DN 300**

Switching from the „open“ position to the „closed“ position is carried out by turning the hand lever through 0° - 90, it is possible to set the hand lever at and positions and interpositions. Hand lever is recommended for valves up to DN 200.

Testing

- acc. to API 598

Connecting to piping

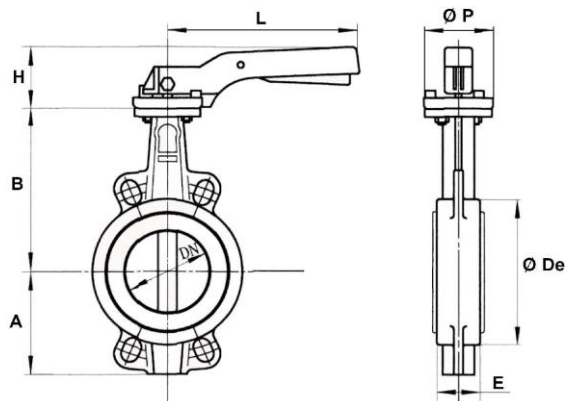
- WAFER type, PN 10-16, ANSI 150

Installation

- vertical pipeline
- horizontal pipeline

Material

| Component | Material | |
|--------------|---|---------------|
| body | cast iron EN GJL-250 | |
| disc | Ductile iron EN GJS-400-15 nickel coated | ASTM 351 CF8M |
| elastic ring | EPDM | |
| stem | SS 416 | |
| bushing | PTFE | |
| „O“ ring | EPDM | |
| circlip | steel | |
| lever | aluminium | |



PN 10-16

| DN | A | B | Ø De | E | H | L | Ø P | Kg |
|-------|-------|-------|------|----|----|-----|-----|------|
| 32/40 | 61 | 130 | 82 | 33 | 70 | 195 | 65 | 1,9 |
| 50 | 77 | 136,5 | 95 | 43 | 70 | 195 | 65 | 2,5 |
| 65 | 87,5 | 142 | 109 | 46 | 70 | 195 | 65 | 2,9 |
| 80 | 95 | 158 | 127 | 46 | 70 | 195 | 65 | 3,2 |
| 100 | 107 | 180 | 152 | 52 | 70 | 195 | 65 | 4,2 |
| 125 | 121,5 | 192 | 180 | 56 | 71 | 278 | 90 | 6,7 |
| 150 | 144 | 215 | 207 | 56 | 71 | 278 | 90 | 7,7 |
| 200 | 171 | 242 | 260 | 60 | 40 | 355 | 125 | 14,7 |
| 250 | 205 | 280 | 315 | 68 | 44 | 507 | 150 | 23,4 |
| 300 | 235 | 310 | 370 | 78 | 44 | 507 | 150 | 33,8 |

L32.5S FIG 1123, 1125 CENTRIC BUTTERFLY VALVE

**DN 350
PN 10**

Application

- Sewage treatment plants, water treatment plants
- Heating systems
- Industrial processes where liquid and gaseous media are conveyed
- The gas industry, the petrochemical industry, after an arrangement with the supplier, in other fields

Working medium

- all common liquids

Working temperature

- from -10 °C to +110 °C (temporarily +130 °C)

Maximal pressure

- 10 bar

Technical description

- The butterfly valve is bidirectional valve. The valve disc is centrally attached to shaft pivoted in friction bearings. The valve bore and flange surfaces are lined by rubber liner.
- **1123** – disc from stainless steel - CF8M
- **1125** – disc from ductile iron

Operation

- **With gear – from DN 350 to DN 1200**

Since the choice of the an actuator type and equipment depends on operating parameters, it has to be consulted with the supplier.

Testing

- acc. to API 598

Connection to piping

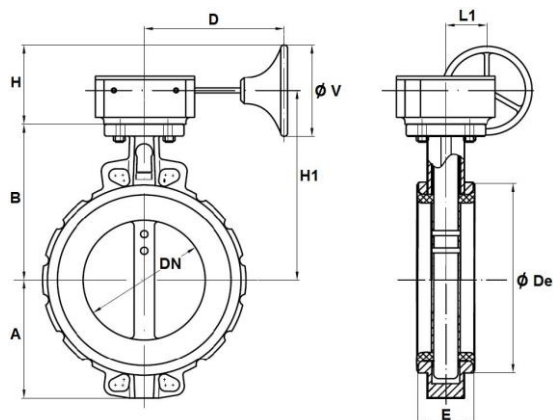
- WAFER type, PN 10-16, ANSI 150

Installation

- vertical pipeline
- horizontal pipeline

Material

| Component | Material | |
|--------------|---|---------------|
| body | cast iron EN GJL-250 | |
| disc | Ductile iron EN GJS-400-15 nickel coated | ASTM A351CF8M |
| elastic ring | EPDM | |
| stem | SS 431 | |
| bushing | PTFE | |
| „O” ring | EPDM | |
| pin | SS 316 | |
| gasket | EPDM | |



PN 10

| DN | A | B | D | Ø De | E | H | H1 | L1 | Ø V | Kg |
|-----|-----|-----|-----|------|----|-----|-----|----|-----|------|
| 350 | 260 | 334 | 223 | 418 | 78 | 190 | 379 | 78 | 300 | 54,5 |

L32.5S FIG 1123, 1125 CENTRIC BUTTERFLY VALVE

**DN 400-600
PN 10**

Application

- Sewage treatment plants, water treatment plants
- Heating systems
- Industrial processes where liquid and gaseous media are conveyed
- The gas industry, the petrochemical industry, after an arrangement with the supplier, in other fields

Working medium

- all common liquids

Working temperature

- from -10 °C to +110 °C (temporarily +130 °C)

Maximal pressure

- from DN 350 - 10 bar

Technical description

- The butterfly valve is bidirectional valve. The valve disc is centrally attached to shaft pivoted in friction bearings. The valve bore and flange surfaces are lined by rubber liner.
- **1123** – disc from stainless steel - CF8M
- **1125** – disc from ductile iron

Operation

- **With gear**– from DN 350 to DN 1200
Since the choice of the an actuator type and equipment depends on operating parameters, it has to be consulted with the supplier.

Testing

- acc. to API 598

Connection to piping

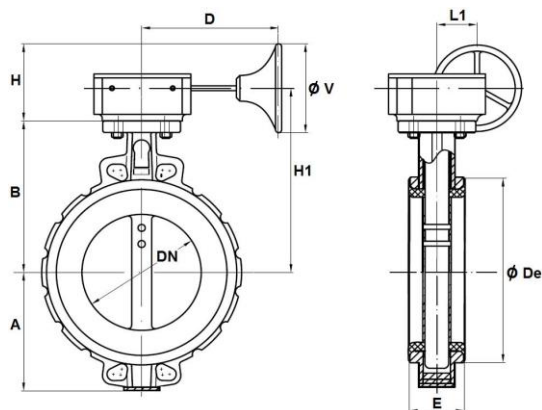
- WAFER type, PN 10-16, ANSI 150

Installation

- vertical pipeline
- horizontal pipeline

Material

| Component | Material |
|--------------|---|
| body | cast iron EN GJL-250 |
| disc | Ductile iron EN GJS-400-15 nickel coated ASTM A351 CF8M |
| elastic ring | EPDM |
| stem | SS 431 |
| bushing | PTFE |
| „O“ ring | EPDM |
| pin | SS 316 |
| gasket | EPDM |
| gasket | EPDM |



PN 10

| DN | A | B | D | Ø De | E | H | H1 | L1 | Ø V | Kg |
|-----|-----|-----|-----|------|-----|-----|-----|-----|-----|-------|
| 400 | 307 | 361 | 270 | 470 | 102 | 208 | 423 | 120 | 400 | 89,9 |
| 450 | 339 | 401 | 270 | 525 | 114 | 258 | 463 | 120 | 400 | 107,4 |
| 500 | 368 | 480 | 339 | 570 | 127 | 222 | 545 | 120 | 300 | 155,8 |
| 600 | 459 | 565 | 339 | 697 | 154 | 222 | 630 | 120 | 300 | 231,1 |

L32.5S FIG 1123, 1125 CENTRIC BUTTERFLY VALVE

**DN 700-1200
PN 10**

Application

- Sewage treatment plants, water treatment plants
- Heating systems
- Industrial processes where liquid and gaseous media are conveyed
- The gas industry, the petrochemical industry, after an arrangement with the supplier, in other fields

Working medium

- all common liquids

Working temperature

- from -10 °C to +110 °C (temporarily +130 °C)

Maximal pressure

- from DN 350 - 10 bar

Technical description

- The butterfly valve is bidirectional valve. The valve disc is centrally attached to shaft pivoted in friction bearings. The valve bore and flange surfaces are lined by rubber liner.
- **1123** – disc from stainless steel - CF8M
- **1125** – disc from ductile iron

Operation

- **With gear– from DN 350 to DN 1200**

Since the choice of the an actuator type and equipment depends on operating parameters, it has to be consulted with the supplier.

Testing

- acc. to API 598

Connection to piping

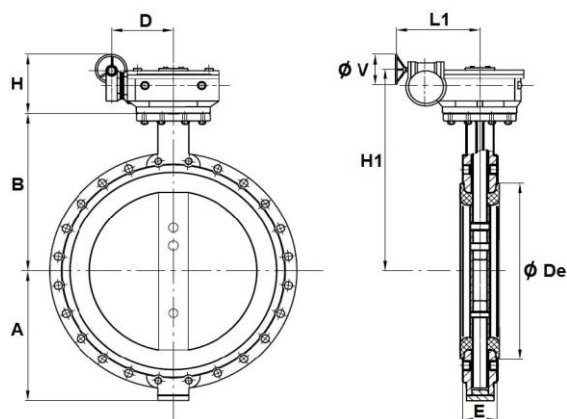
- WAFER type, PN 10-16, ANSI 150

Installation

- vertical pipeline
- horizontal pipeline

Material

| Component | Material |
|--------------|---|
| body | cast iron EN GJL-250 |
| disc | Ductile iron EN GJS-400-15 nickerled coated ASTM A351 CF8M |
| elastic ring | EPDM |
| stem | SS 431 |
| bushing | Aluminium + Bronze |
| „O“ ring | EPDM |
| pin | SS 316 |
| pin | SQ 719 |
| gasket | EPDM |



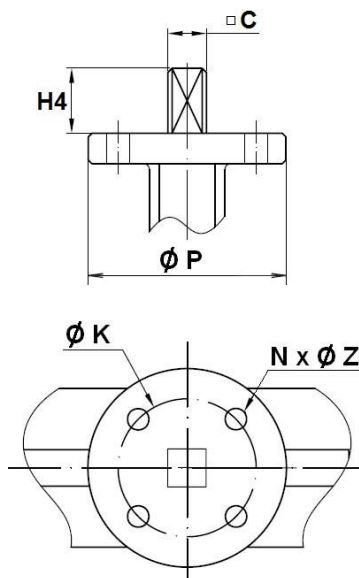
PN 10

| DN | A | B | D | Ø De | E | H | H1 | L1 | Ø V | m (Kg) |
|------|-----|-----|-----|------|-----|-----|------|-----|-----|--------|
| 700 | 520 | 624 | 367 | 800 | 163 | 382 | 725 | 243 | 400 | 372 |
| 800 | 591 | 672 | 367 | 906 | 188 | 382 | 785 | 243 | 400 | 456 |
| 900 | 656 | 720 | 410 | 1015 | 203 | 476 | 944 | 278 | 450 | 831 |
| 1000 | 721 | 800 | 410 | 1134 | 216 | 476 | 994 | 278 | 450 | 982 |
| 1200 | 860 | 941 | 500 | 1331 | 276 | 528 | 1228 | 458 | 450 | 1510 |

L32.5S FIG 1123, 1125 CENTRIC BUTTERFLY VALVE

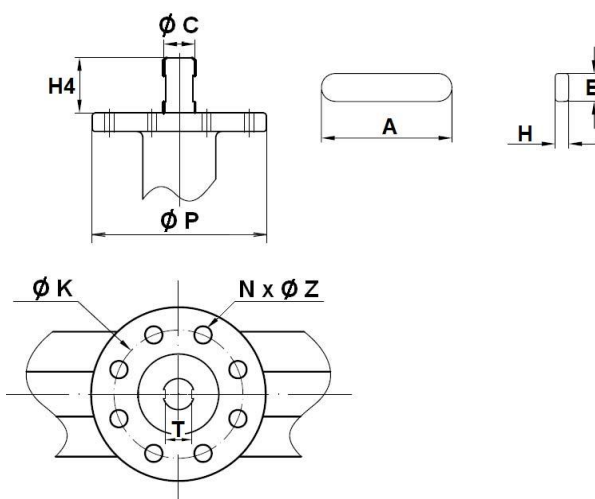
ISO MOUNTING PAD SIZE (mm) DN 32-600

| Ø C | Ø K | ISO | NxØZ | H4 | ØP |
|-----|-----|-----|------|----|-----|
| 9 | 50 | F05 | 4x7 | 32 | 65 |
| 9 | 50 | F05 | 4x7 | 32 | 65 |
| 9 | 50 | F05 | 4x7 | 32 | 65 |
| 9 | 50 | F05 | 4x7 | 32 | 65 |
| 11 | 50 | F05 | 4x7 | 32 | 65 |
| 14 | 70 | F07 | 4x9 | 42 | 90 |
| 14 | 70 | F07 | 4x9 | 42 | 90 |
| 17 | 102 | F10 | 4x11 | 36 | 125 |
| 22 | 125 | F12 | 4x13 | 38 | 150 |
| 27 | 125 | F12 | 4x13 | 38 | 150 |
| 27 | 125 | F12 | 4x14 | 45 | 150 |
| 27 | 125 | F12 | 4x14 | 50 | 150 |
| 30 | 165 | F16 | 4x22 | 50 | 210 |
| 36 | 165 | F16 | 4x22 | 65 | 210 |
| 46 | 165 | F16 | 4x22 | 70 | 300 |



ISO MOUNTING PAD SIZE (v mm) DN 700-1200

| Ø C | Ø K | ISO | NxØZ | H4 | ØP | A | B | H |
|-------|-----|-----|------|-----|-----|-----|----|----|
| 63,35 | 254 | F25 | 8x18 | 80 | 300 | 60 | 18 | 11 |
| 63,35 | 254 | F25 | 8x18 | 80 | 300 | 60 | 18 | 11 |
| 75 | 254 | F25 | 8x18 | 118 | 300 | 100 | 20 | 12 |
| 85 | 254 | F25 | 8x18 | 142 | 300 | 110 | 22 | 14 |
| 105 | 298 | F30 | 8x22 | 150 | 350 | 110 | 28 | 16 |



Torque value (Nm, without safety coefficient)

We recommend a safety coefficient of 30% minimum to determinate the actuator.

| DN | 32/40 | 50 | 65 | 80 | 100 | 125 | 150 | 200 | 250 | 300 | 350 | 400 | 450 | 500 | 600 | 700 | 800 | 900 | 1000 | 1200 |
|-------|-------|----|----|----|-----|-----|-----|-----|-----|-----|-----|-----|------|------|------|------|------|------|-------|-------|
| DN 10 | 11 | 15 | 24 | 31 | 48 | 73 | 106 | 177 | 281 | 410 | 475 | 746 | 1112 | 1356 | 2468 | 4908 | 6462 | 7886 | 13389 | 18833 |
| PN 16 | 12 | 16 | 26 | 33 | 53 | 81 | 119 | 194 | 308 | 441 | - | - | - | - | - | - | - | - | - | - |

The ARMATURY Group a.s. company reserves the right for changes of technical products-specifications, and is not responsible for incidental misprints. Issued in February 2016.