

Application

- closing valve
- it is not appropriate as a control valve
- the valve can be used in accordance with applicable standards and regulations for these parameters

Working medium

- water
- steam
- oil

Working temperature

- up to 200°C

Connecting to piping

- flanged ends acc. to EN 1092-2

Testing

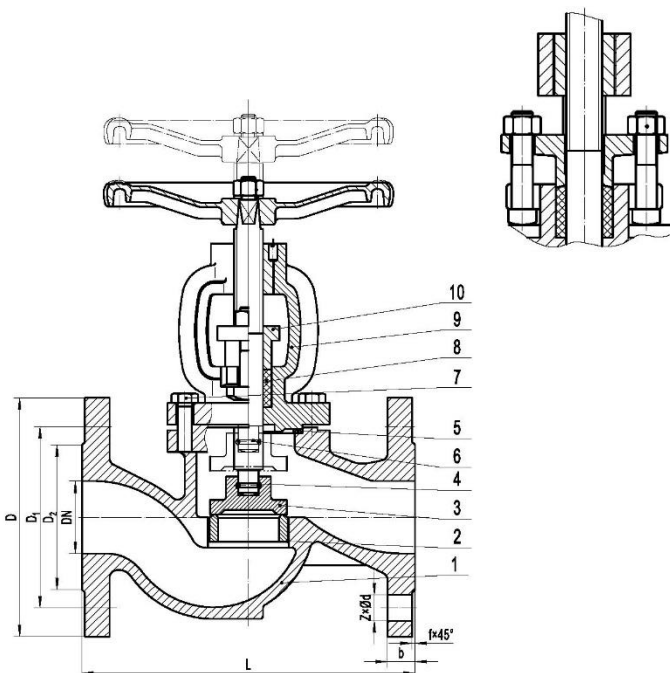
- acc. to EN – 12266-1

Installation

- horizontal or vertical position
- respect the flow direction

Material

Position	Component	Material
1	Body	GG25
2	Body seal ring	2Cr13
3	Disc (DN15-65)	2Cr13
3	Disc (DN 80-200)	A105 + 2Cr13
4	Balls	SS304
5	Gasket	Reinforce graphite
6	Stem	2Cr13
7	Bolt	C35+Zn
8	Packing	Grpahite
9	Bonnet	GGG40
10	Packing gland	GG25



DN 15-200
PN 16

Pressure-temperature ratings for flanges of GG25

PN	Temperature °C			
	-10 to 120	150	180	200
16	16	14,4	13,4	12,8

PN 16

DN	L	D	D ₁	D ₂	b - f	Z - Ød	H	W
15	130±2	95	65	46	14 - 2	4 - Ø14	180/167	96
20	150±2	105	75	56	16 - 2	4 - Ø14	179/166	96
25	160±2	115	85	65	16 - 2	4 - Ø14	200/183	120
32	180±2	140	100	76	18 - 2	4 - Ø19	231/215	140
40	200±2	150	110	84	18 - 2	4 - Ø19	247/220	140
50	230±2	165	125	99	20 - 2	4 - Ø19	270/239	200
65	290±2	185	145	118	20 - 2	4 - Ø19	306/266	200
80	310±2	200	160	132	22 - 2	8 - Ø19	363/317	240
100	350±2	220	180	156	24 - 2	8 - Ø19	397/339	280
125	400±2	250	210	184	26 - 2	8 - Ø19	472/411	360
150	480±2	285	240	211	26 - 2	8 - Ø23	514/441	360
200	600±2	340	295	266	30 - 2	12 - Ø23	576/498.5	400

The ARMATURY Group a.s. company reserves the right for changes of technical products-specifications, and is not responsible for incidental misprints. Issued in August 2020.