

# BALL VALVE K91.31 FIG F302

## Application

- oil and gas
- petrochemical and chemical industry
- power industry
- water supply

## Working medium

- gases
- liquids, impurities must not be abrasive

## Working temperature

- + 200°C

## Technical description

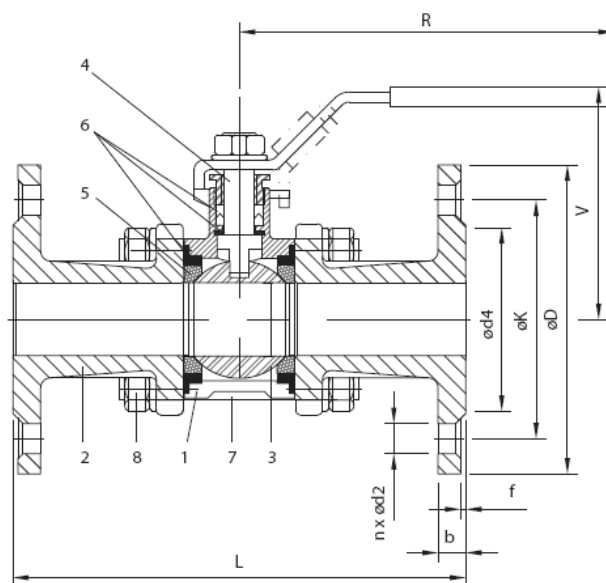
- cast body
- individual parts of the body are connected by continuous bolts
- soft-seated seats

## Connection to piping

- flanged ends

## Material

Position	Component	Material
1	Body	1.4408
2	Cover	1.4408
3	Ball	1.4408
4	Stem	1.4401
5	Seat	PTFE
6	Gasket	PTFE
7	Bolts	1.4301
8	Nuts	1.4301



## PN 16

DN	NPS	ØD	b	ØK	d4	f	n	d2	V	L	R	kg
15	1/2"	95	14	65	45	2	4	14	152	130	87	-
20	3/4"	105	18	75	58	2	4	14	152	150	91	-
25	1"	115	18	85	68	2	4	14	176	160	99	-
32	1 1/4"	140	18	100	78	2	4	18	176	180	104	-
40	1 1/2"	150	18	110	88	3	4	18	207	200	127	-
50	2"	165	18	125	102	3	4	18	207	230	136	-
65	2 1/2"	185	19	145	122	3	8	18	285	290	167	15,3
80	3"	200	20	160	138	3	8	18	285	310	176	20,75
100	4"	220	20	180	158	3	8	18	291	350	173	30,9

## PN 40

DN	NPS	ØD	b	ØK	d4	f	n	d2	V	L	R	kg
15	1/2"	95	16	65	45	2	4	14	152	130	87	1,98
20	3/4"	105	18	75	58	2	4	14	152	150	91	2,72
25	1"	115	18	85	68	2	4	14	176	160	99	3,78
32	1 1/4"	140	18	100	78	2	4	18	176	180	104	5,24
40	1 1/2"	150	18	110	98	3	4	18	207	200	127	7
50	2"	165	20	125	102	3	4	18	207	230	136	9,98
65	2 1/2"	185	22	145	122	3	8	18	285	290	167	16,6
80	3"	200	24	160	138	3	8	18	285	310	176	21,41
100	4"	235	24	190	162	3	8	22	291	350	173	34,54

The ARMATURY Group a.s. company reserves the right for changes of technical products-specifications, and is not responsible for incidental misprints. Issued in February 2016.